

## Bond-Rite® REMOTE

Continuous Ground Loop Monitoring with visual indication.



The precision and reliability of the **Bond-Rite® REMOTE** provides enhanced safety and security by continuously testing the connection of the clamp to the container or other conductive item of plant in a complete loop made through the designated grounding point.

[Inquiry > Click here to submit a product related query or a request for quotation.](#)

The Bond-Rite REMOTE indicator station houses the ground loop monitoring circuit and a bright green LED which pulses continuously when it detects that the resistance between the equipment to be grounded and the site's verified earth ground (e.g. copper tape) is 10 ohms or less.

Once connected the Bond-Rite REMOTE continuously monitors the resistance of the circuit between the equipment and the verified ground point (e.g. wall-mounted bus bar).

The pulsing green LED provides process operators with a continuous visual reference point that enables them to monitor the ground status of equipment at risk of accumulating static electricity and discharging static sparks.

The standard GRP enclosure is static dissipative and suitable for general processing environments. The stainless steel enclosure (SS 304) is designed to cater for hygienic or corrosive environment specifications.

Both enclosures provide an IP 66 degree of ingress protection and are suitable for both indoor and outdoor installation.

The Bond-Rite REMOTE can be powered with an intrinsically safe 9V battery (included) or an external 230/115 V AC power supply which can power up to 10 individual indicator stations.

The Bond-Rite REMOTE is an ideal solution for applications and installations where interlocks with the process are not possible.



**Bond-Rite REMOTE**  
Static dissipative GRP enclosure



### Typical Applications

- > Filling and dispensing to/from metal containers, including drums, waste drums, mixing vessels.
- > Grounding equipment used in mixing and blending operations.

## Bond-Rite® REMOTE (EP)

For process applications that require grounding for more than 6 hours per day, the **Bond-Rite REMOTE EP** (EP = Externally Powered) utilises 230 V AC or 115 V AC mains supply / line power to power the monitoring circuit of each indicator station.

The external power supply can be located in both the 'hazardous' (Zone 2/22 - Div.2) and 'non-hazardous' areas, with the indicator stations mounted in the zoned / HAZLOC area (Zone 0 / Div.1) or lower.

When used in conjunction with the Newson Gale Universal power supply, up to 10 **Bond-Rite REMOTE** indicator stations can be powered simultaneously. This enables users to actively monitor up to 10 items of plant equipment at risk of electrostatic charging (e.g. drums) independently of each other.

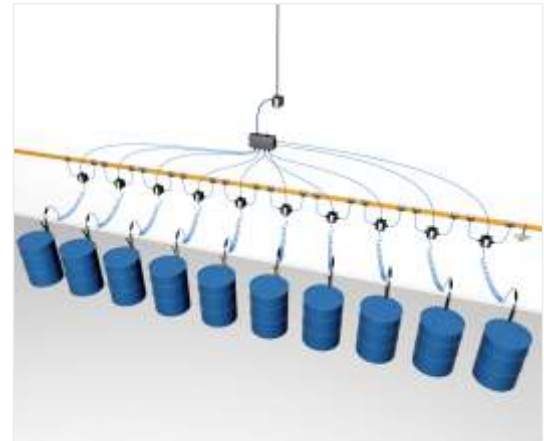
An additional advantage of this configuration is that the external power supply itself can be installed within the hazardous area. For more detailed information please refer to the ATEX / IECEx and cCSAus technical specification pages.



**Bond-Rite REMOTE**  
Stainless steel enclosure.

### Features and Benefits

- > **Highly visible LED** housed in wall mounted enclosure ensures operators know when a low resistance connection is achieved with potentially charged equipment.
- > **Tungsten carbide teeth** bite through product deposit build up, rust & drum coatings to ensure proper bonding connections are made.
- > **Stainless steel clamps** designed to withstand use in tough chemical processing and industrial environments.
- > **10 ohms loop resistance** monitoring compliant with international Recommended Practice\*.
- > Indicator station mounted **stowage pin** provides operators with a location to return the grounding clamp when the operation is finished.



Ideal for multiple drum filling applications

\***IEC 60079-32**, "Explosive atmospheres: electrostatic hazards, guidance".

\***NFPA 77**, "Recommended Practice on Static Electricity".

The Bond-Rite® REMOTE forms part of the Bond-Rite® range of Static Grounding and Bonding Equipment available from Newson Gale.

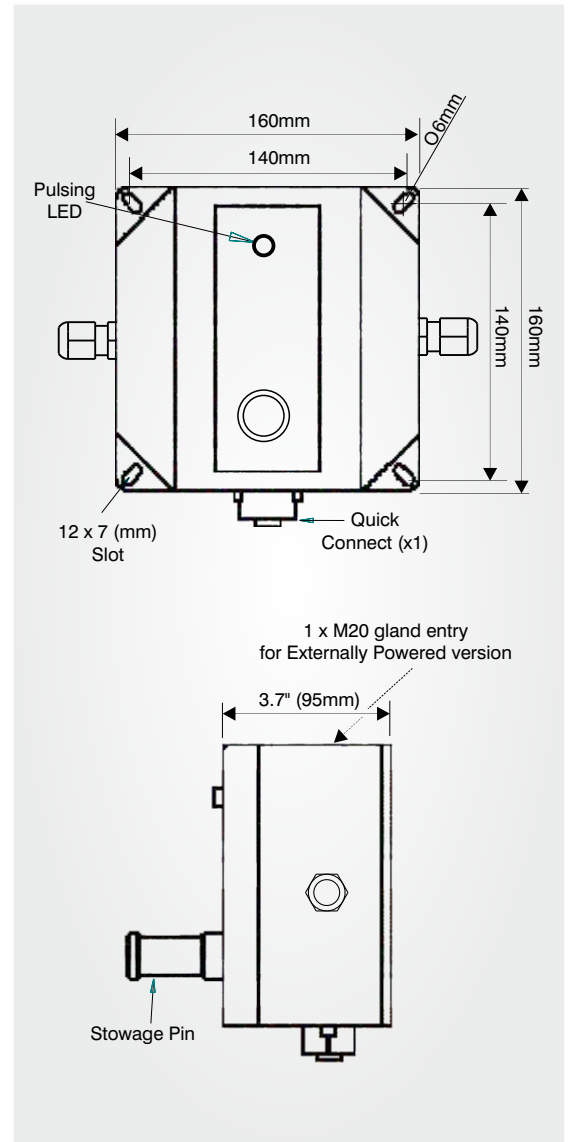
## Bond-Rite® REMOTE (GRP)

### Technical Specification

Bond-Rite REMOTE [GRP] - Battery Powered and Mains Powered	
Ingress Protection	Type 4X (IP 66)
Ambient Temperature Range	-40°F to +140°F (-40°C to +60°C)
Operational Ground Resistance	Nominally ≤ 10 Ohm
Indicator Lamp	LED: 1 green (Ground / Earth connection healthy)
Battery Supply option	9 V Lithium-Manganese Battery (supplied with unit)
Power Supply option	Newson Gale Universal Power Supply
Enclosure Material	Glass Reinforced Plastic (carbon loaded)

### Hazardous Location Approvals

Europe / International:	North America:
<p><b>IECEX</b>                      Ex ia IIC T4 Ga (Gas &amp; Vapour).                      Ex ta IIIC T135°C Da (Combustible Dusts).                      Ta = -40°C to +60°C.                      IECEX SIR 09.0023X                      IECEX certifying body: SIR.</p> <p><b>ATEX</b>                      II 1 GD                      Ex ia IIC T4 Ga                      Ex ta IIIC T135°C Da                      Ta = -40°C to +60°C.                      Sira 09ATEX2158X                      ATEX Notified Body: SIR.</p>	<p><b>NEC 500 / CEC (Class &amp; Division)</b>                      Intrinsically safe equipment Exia for use in:                      Class I, Div. 1, Groups A, B, C, D.                      Class II, Div. 1, Groups E, F, G.                      Class III, Div. 1.                      Ta = -40°C to +60°C.                      Ta = -40°F to +140°F                      Control Drawing: BRR-Q-11185 cCSAus                      OSHA recognised NRTL: CSA.</p> <p><b>NEC 505 &amp; 506 (Class &amp; Zoning)</b>                      Class I, Zone 0, AEx ia IIC T4 Ga                      (Gas &amp; Vapour).                      Class II, Zone 20, AEx iaD 20 T135°C,                      (Combustible Dusts).</p> <p><b>CEC Section 18 (Class &amp; Zoning)</b>                      Class I, Zone 0 Ex ia IIC T4 Ga                      DIP A20, IP66, T135°C</p>



## Bond-Rite® REMOTE Stainless Steel

### Technical Specification

#### Bond-Rite REMOTE [Stainless Steel] - Battery Powered and Mains Powered

<b>Ingress Protection</b>	Type 4X (IP 66)
<b>Ambient Temperature Range</b>	-40°F to +140°F (-40°C to +60°C)
<b>Operational Ground Resistance</b>	Nominally ≤ 10 Ohm
<b>Resistance Indicator Lamp</b>	LED: 1 green (Ground / Earth connection healthy)
<b>Battery Supply option</b>	9 V Lithium-Manganese Battery (supplied with unit)
<b>Power Supply option</b>	Newson Gale Universal Power Supply
<b>Enclosure Material</b>	Stainless Steel (SS 304)

### Hazardous Area Certification

#### Europe / International:

##### IECEX

Ex ia IIC T4 Ga (Gas & Vapour).  
 Ex ta IIIC T135°C Da (Combustible Dusts).  
 Ta = -40°C to +60°C.  
 IECEX SIR 09.0023X  
 IECEX certifying body: SIRA.

##### ATEX

II 1 GD  
 Ex ia IIC T4 Ga  
 Ex ta IIIC T135°C Da  
 Ta = -40°C to +60°C.  
 Sira 09ATEX2158X  
 ATEX Notified Body: SIRA.

#### North America:

##### NEC 500 / CEC (Class & Division)

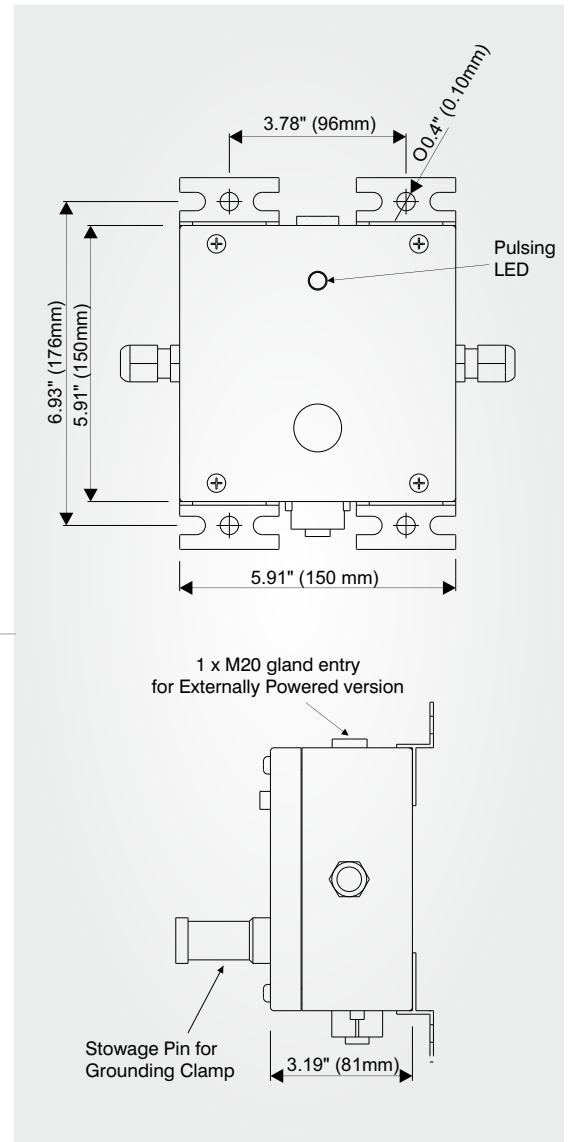
Intrinsically safe equipment Exia for use in:  
 Class I, Div. 1, Groups A, B, C, D.  
 Class II, Div. 1, Groups E, F, G.  
 Class III, Div. 1.  
 Ta = -40°C to +60°C.  
 Ta = -40°F to +140°F  
 Control Drawing: BRR-Q-11185 cCSAus  
 OSHA recognised NRTL: CSA.

##### NEC 505 & 506 (Class & Zoning)

Class I, Zone 0, AEx ia IIC T4 Ga  
 (Gas & Vapour).  
 Class II, Zone 20, AEx iaD 20 T135°C,  
 (Combustible Dusts).

##### CEC Section 18 (Class & Zoning)

Class I, Zone 0 Ex ia IIC T4 Ga  
 DIP A20, IP66, T135°C



## Bond-Rite® REMOTE Universal Power Supply (UPS)

### Technical Specification

#### Newson Gale Universal Power Supply Unit

<b>Ingress Protection</b>	Type 4X (IP 66)
<b>Ambient Temperature Range</b>	-13°F to +131°F (-25°C to +55°C)
<b>Power Supply</b>	110/120 V or 220/240 V AC, 50-60 Hz
<b>Enclosure construction</b>	Glass Reinforced Plastic (carbon loaded)

### Hazardous Area Certification

#### Europe / International:

##### IECEX

Ex nA[ia] IIC T4 Gc(Ga).  
 Ex tb IIIC T70°C Db IP66.  
 Ta = -40°C to +55°C.  
 IECEX SIR 09.0089  
 IECEX certifying body: SIRA.

##### ATEX

II 3(1) G  
 II 2D  
 Ex na[ia] IIC T4 Gc(Ga)  
 Ex tb IIIC T70°C Db IP66  
 Ta = -40°C to +55°C.  
 Sira 09ATEX2210  
 ATEX Notified Body: SIRA.

#### North America:

##### NEC 500 / CEC (Class & Division)

Associated Equipment [Exia] for use in  
 Class I, Div. 2, Groups A, B, C, D.  
 Class II, Div. 2, Groups E, F, G.  
 Class III, Div. 2.  
 Providing Intrinsically safe circuits for  
 Class I, Div. 1, Groups A, B, C, D;  
 Class II, Div. 1, Groups E, F, G;  
 Class III, Div 1.  
 when installed per Control Dwg:  
 ERUPS-Q-09212  
 Ta = -25°C to +55°C.  
 Ta = -13°F to +131°F

OSHA recognised NRTL: CSA.

##### NEC 505 & 506 (Class & Zoning)

Class I, Zone 2 (Zone 0) AEx nA [ia] IIC T4  
 (Gas & Vapour).  
 Class II, Zone 22, AEx tD [iaD] 22 T70°C,  
 (Combustible Dusts).

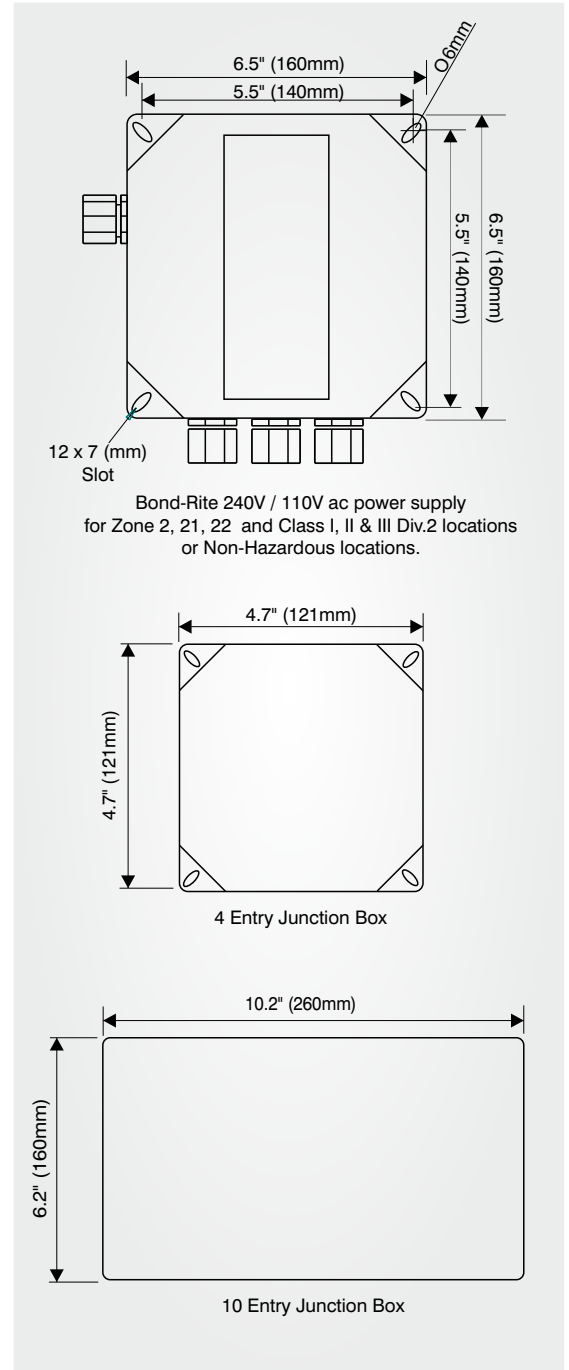
##### CEC Section 18 (Class & Zoning)

Class I, Zone 2 (Zone 0), Ex nA [ia] IIC T4  
 DIP A22 T70°C

### Additional Certification

#### EMC Tested:

to EN 61000-6-2, EN 61000-6-3  
 to FCC - Part 15



## Bond-Rite® REMOTE

### Equipment Options

Newson Gale supplies a range of product options that enhance the control and general safety of transfer processes and aid engineers with system installations and routine system service checks.

#### Cable length options

Equipment specifiers can order the Bond-Rite REMOTE with 2-pole Cen-Stat cable on standard spiral lengths of 10 ft. (3 m), 16 ft. (5 m) and 32 ft. (10 m) of cable.

The spiral cable provides effective retractability when the clamp is not in use, ensuring the cable is neatly stowed and safely out of the way.



**Cen-Stat cable** supplied with male and female in-line Quick-Connects.

#### Universal Resistance Tester

The URT is designed to provide installers and maintainers of Newson Gale **Earth-Rite®** and **Bond-Rite®** static grounding systems with a means of regularly testing the grounding settings for their system on a routine basis.

Periodic testing with the URT verifies that the grounding system's **GO/NO GO** settings are working in compliance with the recommendations of:

**NFPA 77:** "Recommended Practice on Static Electricity."

**IEC 60079-32-1:** "Explosive atmospheres. Part 32-1: Electrostatic hazards, guidance."

The easy to use tester consists of a pair of rotary switches that enable a competent electrical person to check the resistance level at which the grounding system should be working and conduct a PASS / FAIL test at the required setting.

**Bond-Rite®** products that can be tested with the URT include:

- > Bond-Rite® CLAMP
- > Bond-Rite® EZ
- > Bond-Rite® REMOTE



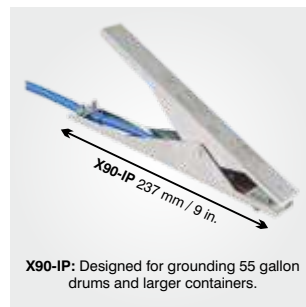
**Universal Resistance Tester**  
Product Code: URT.

## Bond-Rite® REMOTE

### Product Ordering Codes

Bond-Rite REMOTE static dissipative GRP indicator station options		Battery Powered (B) Externally Powered (EP)		Certification	
		B	EP	IECEx ATEX	North America
<b>BRRPEB3B2</b>	Bond-Rite REMOTE + X45-IP + 5 m (16 ft.) retractable Cen-Stat™ cable.	●		●	
<b>BRRPEB3A2</b>	Bond-Rite REMOTE + X90-IP + 5 m (16 ft.) retractable Cen-Stat™ cable.	●		●	
<b>BRRPUB3B2</b>	Bond-Rite REMOTE + X45-IP + 5 m (16 ft.) retractable Cen-Stat™ cable.	●			●
<b>BRRPUB3A2</b>	Bond-Rite REMOTE + X90-IP + 5 m (16 ft.) retractable Cen-Stat™ cable.	●			●
<b>BRRPEP3B2</b>	Bond-Rite REMOTE (EP) + X45-IP + 5 m (16 ft.) retractable Cen-Stat™ cable.		●	●	
<b>BRRPEP3A2</b>	Bond-Rite REMOTE (EP) + X90-IP + 5 m (16 ft.) retractable Cen-Stat™ cable.		●	●	
<b>BRRPUP3B2</b>	Bond-Rite REMOTE (EP) + X45-IP + 5 m (16 ft.) retractable Cen-Stat™ cable.		●		●
<b>BRRPUP3A2</b>	Bond-Rite REMOTE (EP) + X90-IP + 5 m (16 ft.) retractable Cen-Stat™ cable.		●		●
<b>ER/UPS/AC</b>	Universal Power Supply for powering Bond-Rite REMOTE EP units.			●	●
<b>H</b>	add "H" to product code in order to specify stainless steel Sunlight hood				

Bond-Rite REMOTE Stainless Steel indicator station options		Battery Powered (B) Externally Powered (EP)		Certification	
		B	EP	IECEx ATEX	North America
<b>BRRMEB3B2</b>	Bond-Rite REMOTE + X45-IP + 5 m (16 ft.) retractable Cen-Stat™ cable.	●		●	
<b>BRRMEB3A2</b>	Bond-Rite REMOTE + X90-IP + 5 m (16 ft.) retractable Cen-Stat™ cable.	●		●	
<b>BRRMUB3B2</b>	Bond-Rite REMOTE + X45-IP + 5 m (16 ft.) retractable Cen-Stat™ cable.	●			●
<b>BRRMUB3A2</b>	Bond-Rite REMOTE + X90-IP + 5 m (16 ft.) retractable Cen-Stat™ cable.	●			●
<b>BRRMEP3B2</b>	Bond-Rite REMOTE (EP) + X45-IP + 5 m (16 ft.) retractable Cen-Stat™ cable.		●	●	
<b>BRRMEP3A2</b>	Bond-Rite REMOTE (EP) + X90-IP + 5 m (16 ft.) retractable Cen-Stat™ cable.		●	●	
<b>BRRMUP3B2</b>	Bond-Rite REMOTE (EP) + X45-IP + 5 m (16 ft.) retractable Cen-Stat™ cable.		●		●
<b>BRRMUP3A2</b>	Bond-Rite REMOTE (EP) + X90-IP + 5 m (16 ft.) retractable Cen-Stat™ cable.		●		●
<b>ER/UPS/AC</b>	Universal Power Supply for powering Bond-Rite REMOTE EP units.			●	●
<b>H</b>	add "H" to product code in order to specify stainless steel Sunlight hood				



**NOTE:** For a complete Bond-Rite REMOTE EP installation, the power supply module (ER/UPS/AC) must be ordered with the required number of remote indicator stations. Up to 10 Bond-Rite REMOTE indicator stations can be powered by a single ER/UPS/AC universal power supply.

Different lengths of spiral cable available on request. Contact your local Newson Gale office, or preferred supplier, for more options.

**Contact Us >** Your inquiry will be processed rapidly via our webform enquiry service. If you would prefer to call us, or e-mail us, please use the contact details provided below.

**United States**  
Newson Gale Inc  
460 Faraday Avenue  
Bldg C  
Jackson, NJ 08527  
USA  
+1 732 961 7610  
groundit@newson-gale.com

**United Kingdom**  
Newson Gale Ltd  
Omega House  
Private Road 8  
Colwick, Nottingham  
NG4 2JX, UK  
+44 (0)115 940 7500  
groundit@newson-gale.co.uk

**Deutschland**  
Newson Gale GmbH  
Ruhrallee 185  
45136 Essen  
Deutschland  
+49 (0)201 89 45 245  
erdung@newson-gale.de

**South East Asia**  
Newson Gale S.E.A. Pte Ltd  
136 Joo Seng Road  
#03-01  
Singapore  
368360  
+65 6704 9461  
ngsea@newson-gale.com