

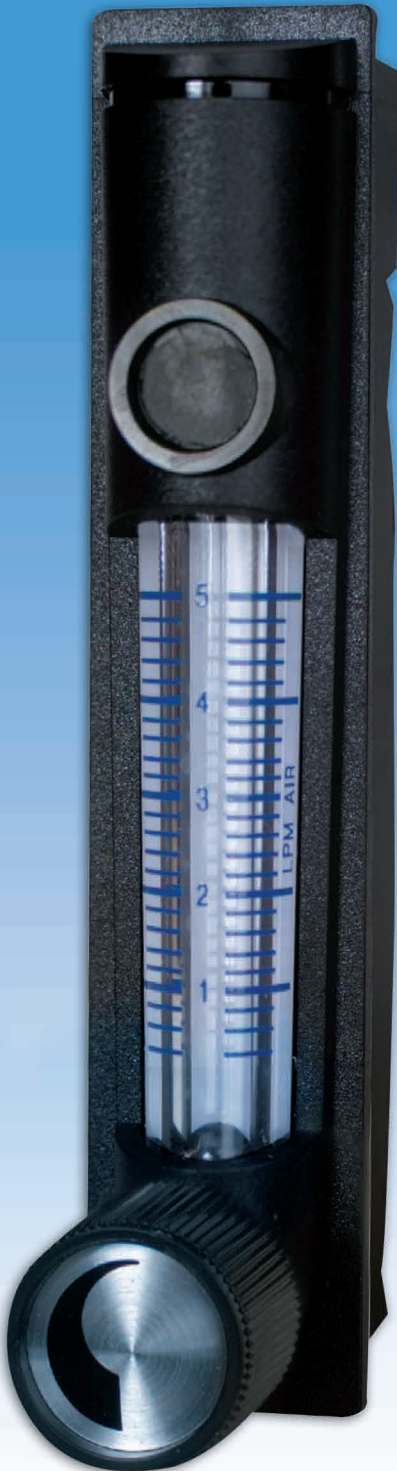
Series MR Flowmeters

Model MR3000

- Available for use with both water and air
- Flow tube and body molded of high-impact polycarbonate
- Precision adjusting valve for accurate, leak-free flow control

Features

- Molded High Impact Polycarbonate
- High Quality Construction
- Economy Combined with Accuracy
- Monitor or Control Air and Water Flows
- Flow Ranges: Air 50 CCM to 100 LPM Water 4 CCM to 40 GPH
- Supplied with Easy-to-Read 10:1 Turn Direct Reading Scales
- Ideally Suited for OEM Application
- Standard Black Body, Custom Colors Available upon Request



KEY INSTRUMENTS

Series MR Flowmeters

SPECIFICATIONS

Accuracy	± 4% Full Scale
Body & Tube	Polycarbonate
Floats	Black glass, Carbide, Stainless Steel or Aluminum
Temperature	150° F / 65° C Maximum
Pressure	100 PSI 6.9 Bar Maximum
Fittings	Brass or Stainless Steel
Valve (optional)	Brass or Stainless Steel Cartridge Type
Seal Material	Buna-N w/ Brass Fittings Viton® w/Stainless Steel

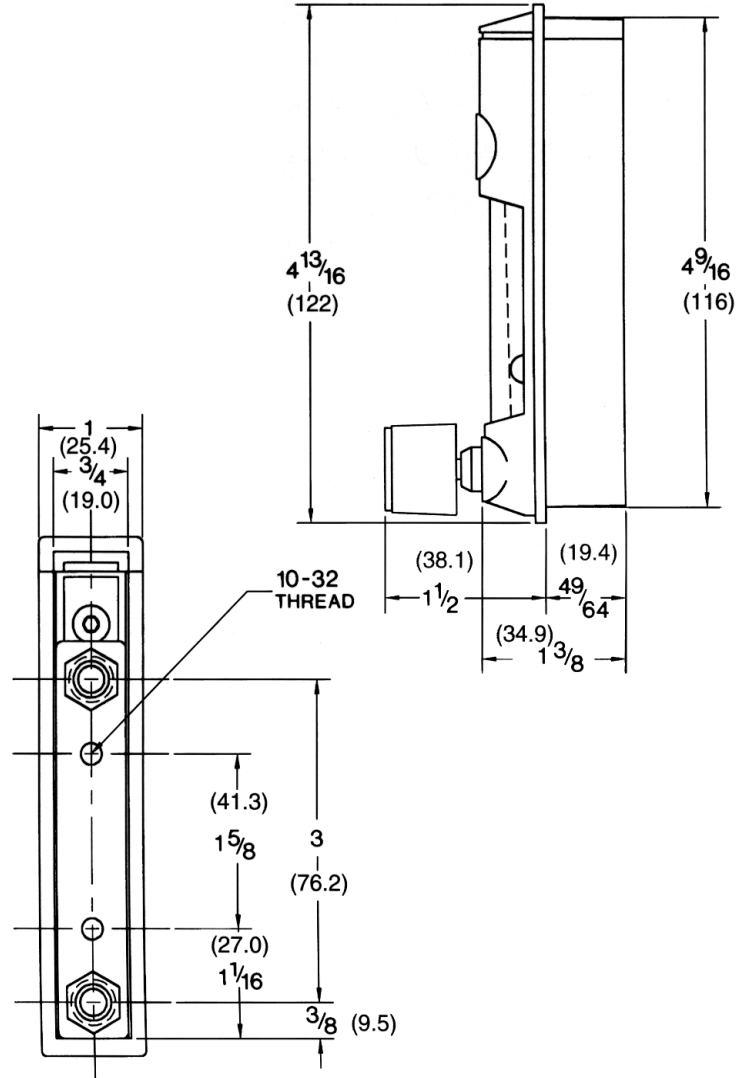
Viton® is a registered trademark of El Dupont

DESCRIPTION

Series MR3000 - Molded of high-impact resistant polycarbonate these flowmeters are available with 24 different air and water ranges. These units are supplied with scales in LPM Air, SCFH Air, CCM Water and GPH Water, all with 10:1 turn down ratios. The MR3000 has been designed to maintain maximum pressures to 100 psig and temperatures to 150°F. These economically engineered units have been designed to provide the highest quality with precision accuracy. These flowmeters are fitted with 1/8" FNPT inlet and outlet connections. An optional inlet or outlet control valve can be specified.

SERIES MR FLOW TABLE

RANGE SCFH AIR	MODEL CODE	RANGE LPM AIR	MODEL CODE
.1-1	3A00	.05-5	3A12
.2-2.5	3A01	.1-1.2	3A13
.4-5	3A02	.4-5	3A14
1-11	3A03	.2-2.5	3A23
2-22	3A04	1-10	3A15
4-60	3A06	2-30	3A16
10-110	3A07	4-50	3A17
20-200	3A08	10-100	3A18
GPH WATER		CCM WATER	
.2-2.5	3L28	4-50	3L09
.4-5	3L19	5-110	3L10
1-10	3L20	20-300	3L11
2-25	3L21		
4-40	3L22		



*Specifications subject to change without prior notification. Contact factory for latest data.

ORDERING INFORMATION

MR	MODEL NUMBER	FITTINGS	VALVE	SEALS
MR	3A07	B	V	BN

FITTINGS

B-Brass
S-Stainless Steel

VALVE

N-None
V-Valve
O-Outlet Valve

SEALS

BN-Buna-N
VT-Viton