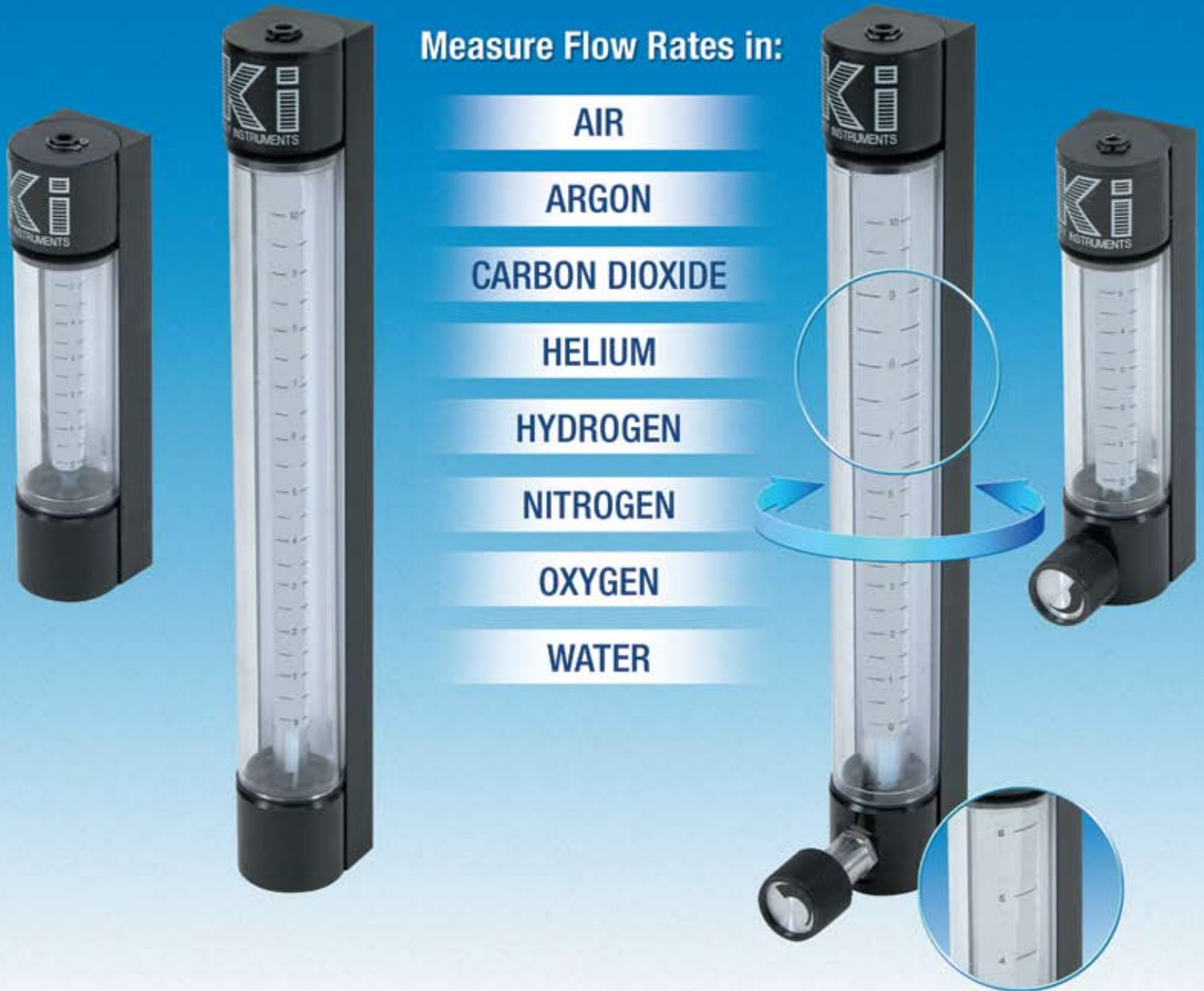


Series GD Direct Read Glass Tube Flowmeters



Measure Flow Rates in:

AIR

ARGON

CARBON DIOXIDE

HELIUM

HYDROGEN

NITROGEN

OXYGEN

WATER

Rotating
Magnifying Lens



KEY INSTRUMENTS

Series GD Direct Read Glass Tube Flowmeters

DESCRIPTION

Series GD is a direct read flowmeter for liquids or gases available in either 65 or 150 mm scale lengths. Series GD flowmeters can be configured with a standard or precision control valve on either the inlet or no valve at all; fittings can be specified in either aluminum or stainless steel; valves can be specified in either brass or stainless steel; O-rings and seals can be provided in Buna-N, Viton® or other optional elastomers.

FEATURES

Standard direct read scales

Scale length (approximate): 65 mm, 150 mm

Flowmeter available with:
 No Valve
 Cartridge Valve
 Precision Control Valve

Inlet valve standard / Outlet valve available

E-Z CHANGE design allows quick interchangeability of tube assemblies

Glass tube allows compatibility with most gases and fluids

Rotating lens allows 180° view with magnification

SPECIFICATIONS

Accuracy	65 mm Scale ± 5% Full Scale 150 mm Scale ± 3% Full Scale
Floats	Black Glass, Sapphire, Stainless Steel, Carboly or Tantalum
Frame	Aluminum
End Blocks	Aluminum w/ Buna N Stainless Steel w/ Viton®
Standard Seals & Fittings	Brass w/ Buna N Stainless Steel w/ Viton®
Fittings	1/8" FNPT
Tube	Borosilicate Glass
Valve	Standard Control Valve Precision Control Valve
Pressure	200 psi / 13.8 Bar Max.
Temperature	200°F / 93°C Max.

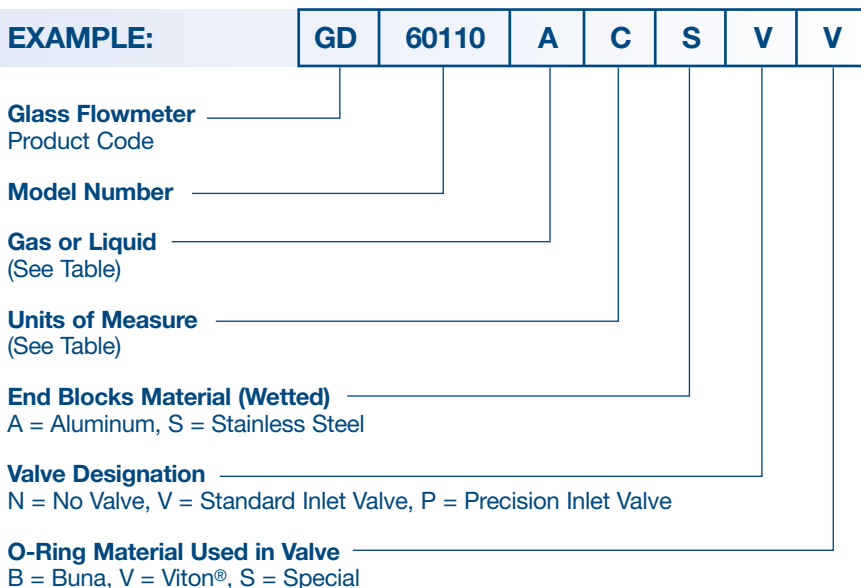
MAXIMUM RANGES AVAILABLE

Turndown ≥ 10:1

65 MM Tubes	See Table @ STP
150 MM Tubes	See Table @ STP

ORDERING INFORMATION

Catalog Number Ordering Example: **GD60110ACSVV**



Gas or Liquid

A = Air	Y = Hydrogen
R = Argon	N = Nitrogen
C = Carbon Dioxide	O = Oxygen
H = Helium	W = Water

Units of Measure

M = ml/min
L = LPM
H = LPH
C = CCM
F = SCFH
P = GPM
G = GPH

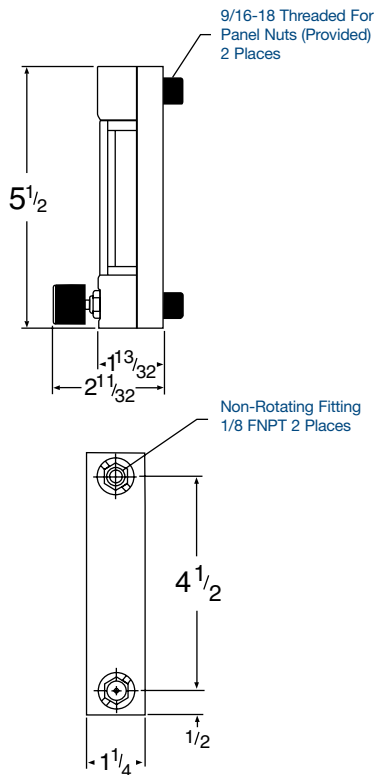
Helpful Conversions:

For Gas:	For Liquid:
LPM x 1000 = CCM	LPM x 1000 = CCM
CFH x 472 = CCM	GPH x 63.09 = CCM
CFM x 28230 = CCM	GPM x 3785 = CCM
For Pressure:	For Temperature:
ATM x 14.696 = PSI	°C = (°F-32) x 0.555
ATM x 101.325 = KPA	°F = (1.8 x °C) + 32
ATM x 29.92 = IN of Hg	°K = °C + 273.15

Series GD Direct Read Glass Tube Flowmeters

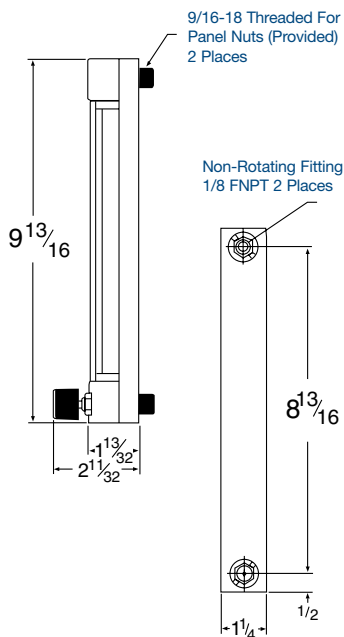
65 MM FLOWMETER

Inches	5 1/2	1 13/32	2 11/32	1 1/4	4 1/2	1/2
MM	140	35.7	59.5	31.8	114	12.7



150 MM FLOWMETER

Inches	9 13/16	1 13/32	2 11/32	1 1/4	8 13/16	1/2
MM	249	35.7	59.5	31.8	224	12.7



65 MM FLOWMETERS - AIR

Model No.	Float	Float Dia.	ml/min	LPM	LPH	CCM	SCFH
GD60110	G	1/8"				2 - 50	.004 - .1
GD60130	ST	1/8"				1 - 150	
GD60210	G	1/8"				5 - 100	
GD60230	ST	1/8"				10 - 300	
GD60310	G	1/8"				20 - 40	
GD60320	S	1/8"	25 - 550	.05 - .5		25 - 550	.1 - 1.2
GD60410	G	1/8"				20 - 900	.05 - 1.9
GD60420	S	1/8"		.1 - 1		50 - 1200	
GD60430	ST	1/8"				50 - 1800	
GD60510	G	3/16"		.1 - 2.5		250 - 2500	.25 - 5.5
GD60540	C	3/16"				350 - 7300	
GD60710	G	1/4"				200 - 6000	
GD60730	ST	1/4"		.2 - 11.4			
GD60820	S	1/4"					2 - 25
GD60830	ST	1/4"					4 - 40
GD60920	S	1/4"		1 - 20			
GD60930	ST	1/4"		1 - 30			4 - 60
GD61040	C	1/4"		2 - 60			5 - 130

150 MM FLOWMETERS - AIR

Model No.	Float	Float Dia.	ml/min	LPM	LPH	CCM	SCFH
GD10110	G	1/8"				2 - 50	
GD10210	G	1/8"	2 - 100			2 - 100	2 - 100
GD10220	S	1/8"	4 - 160			4 - 160	
GD10230	ST	1/8"		.01 - .25		5 - 300	
GD10310	G	1/8"				20 - 400	
GD10320	S	1/8"	20 - 400			20 - 550	
GD10330	ST	1/8"				30 - 850	.06 - 1.3
GD10420	S	1/8"		.1 - 1		50 - 1100	.05 - 2.4
GD10430	ST	1/8"		.25 - 1.7	10 - 100		
GD10520	S	3/16"		.05 - 3		50 - 3000	.1 - 6
GD10530	ST	3/16"				100 - 4500	
GD10560	G	3/16"		.05 - 2.5			
GD10630	ST	3/16"		.1 - 6.6			
GD10720	S	3/16"		.2 - 12			
GD10760	G	1/4"		.25 - 10			
GD10820	S	1/4"		1 - 30			
GD10830	ST	1/4"		1 - 40			
GD10840	C	1/4"		1 - 50			
GD10850	T	1/4"				2000 - 66,000	

65 MM FLOWMETERS - OXYGEN

Model No.	Float	Float Dia.	ml/min	CCM	LPM
GD60230	ST	1/8"	10 - 260		

150 MM FLOWMETERS - OXYGEN

Model No.	Float	Float Dia.	ml/min	CCM	LPM
GD10110	G	1/8"		2 - 50	
GD10230	ST	1/8"			0.01 - 0.25
GD10420	S	1/8"			.02 - 1
GD10540	C	3/16"			0.5 - 5
GD10560	G	3/16"			0.05 - 2.5
GD10760	G	1/4"			0.25 - 10
GD10810	G	1/4"			0.5 - 22
GD10820	S	1/4"			1 - 30
GD10830	ST	1/4"			1 - 40
GD10840	C	1/4"			1 - 50

Series GD Direct Read Glass Tube Flowmeters

65 MM FLOWMETERS - ARGON

Model No.	Float	Float Dia.	CCM	LPM	SCFH
GD60420	S	1/8"		0.05 - 1	
GD60510	G	3/16"		0.2 - 2	
GD60730	ST	1/4"			0.5 - 20
GD61010	G	1/4"		1 - 20	
GD61040	C	1/4"			5 - 110

150 MM FLOWMETERS - ARGON

Model No.	Float	Float Dia.	CCM	LPM	SCFH
GD10110	G	1/8"	1 - 40		
GD10530	ST	3/16"		0.5 - 5	
GD10620	S	3/16"			0.1 - 8
GD10720	S	1/4"		1 - 10	
GD10820	S	1/4"			1 - 55

65 MM FLOWMETERS - CARBON DIOXIDE

Model No.	Float	Float Dia.	ml/min	CCM	LPM
GD60220	S	1/8"	6 - 180		
GD60420	S	1/8"		10 - 1000	
GD60830	ST	1/4"			0.5 - 16

150 MM FLOWMETERS - CARBON DIOXIDE

Model No.	Float	Float Dia.	ml/min	CCM	LPM
GD10710	G	1/4"			0.1 - 8
GD10810	G	1/4"			0.25 - 20
GD10830	ST	1/4"			1 - 45
GD10840	C	1/4"			1 - 50

65 MM FLOWMETERS - WATER

Model No.	Float	Float Dia.	ml/min	LPM	CCM	GPM	GPH
GD60330	ST	1/8"	1 - 20				.03 - 0.3
GD60440	C	1/8"			2 - 50		
GD60530	ST	3/16"	4 - 140		4 - 140		
GD60610	G	3/16"	1 - 90				
GD60620	S	3/16"	500 - 5200				
GD60630	ST	3/16"			10 - 220		
GD60730	ST	1/4"			10 - 340		0.2 - 5
GD60930	S	1/4"			25 - 875		0.5 - 14
GD61010	G	1/4"			25 - 575		
GD61030	ST	1/4"			10 - 1300		
GD61040	C	1/4"					5 - 115
GD61050	T	1/4"	50 - 2000		50 - 2000	.2 - .5	

150 MM FLOWMETERS - WATER

Model No.	Float	Float Dia.	ml/min	LPM	CCM	GPM	LPH
GD10403	ST	1/8"			2 - 48		
GD10530	ST	3/16"			2 - 130		
GD10610	G	3/16"			1 - 75		
GD10620	ST	3/16"					0.5 - 7
GD10630	ST	3/16"					1 - 11
GD10640	C	3/16"			3 - 290		
GD10730	ST	1/4"			10 - 520		
GD10830	ST	1/4"		0.1 - 1.3			
GD10840	C	1/4"	1 - 20				
GD10850	T	1/4"			20 - 2080		

65 MM FLOWMETERS - NITROGEN

Model No.	Float	Float Dia.	ml/min	CCM	LPM	SCFH
GD60130	ST	1/8"		15 - 150		
GD60210	G	1/8"	4 - 100			0.1 - 1.2
GD60320	S	1/8"		20 - 560		
GD60430	ST	1/8"	100 - 1800			
GD60510	G	3/16"				0.5 - 5
GD60530	ST	3/16"				0.4 - 10
GD60630	ST	3/16"				0.5 - 16
GD60730	ST	1/4"				3 - 25
GD61040	C	1/4"				13 - 127

150 MM FLOWMETERS - NITROGEN

Model No.	Float	Float Dia.	ml/min	CCM	LPM	SCFH
GD10110	G	1/8"		2 - 50		
GD10210	G	1/8"		2 - 100		
GD10220	S	1/8"		1 - 160		
GD10230	ST	1/8"		5 - 300		
GD10330	ST	1/8"		30 - 900		
GD10410	G	1/8"	20 - 700			
GD10430	ST	1/8"		50 - 1750		
GD10530	ST	3/16"			0.4 - 4.5	
GD10710	G	1/4"			0.1 - 9	0.5 - 20
GD10720	S	1/4"				1 - 25
GD10810	G	1/4"				1 - 50
GD10840	C	1/4"			2 - 60	

65 MM FLOWMETERS - HYDROGEN

Model No.	Float	Float Dia.	CCM	LPM	SCFH
GD60220	S	1/8"	26 - 600		
GD60240	C	1/8"		0.2 - 1	
GD60510	G	3/16"			1 - 10
GD60730	S	1/4"		1 - 10	

150 MM FLOWMETERS - HYDROGEN

Model No.	Float	Float Dia.	CCM	LPM
GD10240	C	1/8"	20 - 1000	0.2 - 1
GD10730	ST	1/4"		1 - 62

65 MM FLOWMETERS - HELIUM

Model No.	Float	Float Dia.	ml/min	CCM
GD60130	ST	1/8"		2 - 155

150 MM FLOWMETERS - HELIUM

Model No.	Float	Float Dia.	ml/min	CCM
GD10210	G	1/8"	2 - 100	2 - 100
GD10230	ST	1/8"		5 - 300
GD10240	C	1/8"		40 - 560



KEY INSTRUMENTS