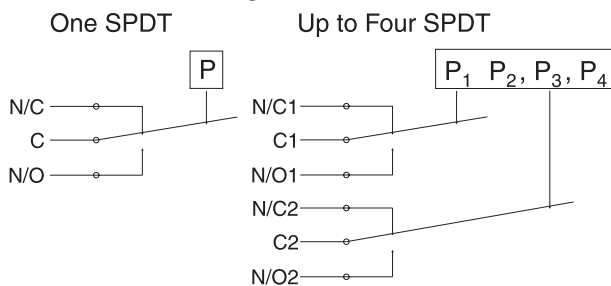




Ranges from 0-15 psi to 0-5000 psi

Rugged NEMA 4X and 12 housing standard
 CSA Certified
 Class I, Div. I, Gr. C and D Available
 Up to Four SPDT Contacts
 Various Wetted Materials Available

Wiring Schematic



Installation Notes

Orientation - The 6WPSB Bellows Actuated will operate satisfactorily in any position. However, mounting the device vertically will allow the easiest adjustability and reduce sediment in the pressure chamber.

Wiring - Switches may be wired to 'normally open' or 'normally closed' terminals on electric switch(es).

Pressure Connection - 1/4" NPT female is standard. 1/2" NPT male is available (M option).

Adjustment - Turn pressure adjustment nut(s) clockwise to increase setpoint. Detailed installation and calibration instructions are provided for every shipment. Setting adjustment is available at no charge.

Description & Features:

- Constructed using rugged cast aluminum housing that incorporates Winters' standard accurate switching mechanism actuated by a stainless steel bellows assembly
- Housing can be specified watertight or explosion proof
- Housing is large enough to accommodate up to four full size SPDT electric switches
- Electric switches are available in a variety of configurations including adjustable switch differential (dead band), DPDT, high-low operation, manual reset
- Many switching configurations can be supplied with electric switches that have low switch differentials (dead band), high direct current ratings, gold contacts, hermetically sealed contacts
- Wide variety of adjustable pressure ranges
- 1 year warranty

Applications:

- Multiple tank or pump controls, those requiring alarm systems

Specifications	
Housing	Cast aluminum
Pressure Connection	1/4" NPT
Electrical Connection	3/4" NPT
Port Material	SS with silver braze
Bellows Material	SS
Deadband	Fixed
Sensitivity	1/2% of range (for SPDT)
Drift	<1% of range (100,000 operations)
Contact Ratings	15A - 125, 250, 480 VAC
Set Point Adjustment	Screw type, field adjustable
No. of Contacts	1, 2, 3 or 4 SPDT or 1 DPDT
Contact Listings	UL Recognized, CSA Certified
Maximum Ambient Temperature	180°F (82°C)
Minimum Ambient Temperature	-40°F (-40°C)
Weight	Approx. 5 lbs.

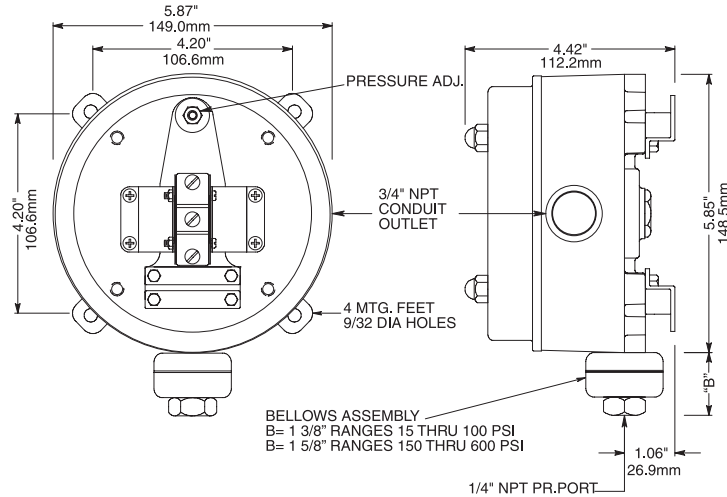
Ranges			
Bellows Actuated			
Adjustable Pressure Range	Maximum Deadband		Maximum Working Pressure
	Type 2	Type 5	
0-15 psi	0.7	1.3	300
0-30 psi	0.7	1.4	300
0-60 psi	0.8	1.6	300
0-100 psi	1.0	1.9	300
0-150 psi	4.0	7.3	1,500
0-200 psi	4.0	7.6	1,500
0-300 psi	4.0	8.2	1,500
0-600 psi	5.0	10.0	1,500
0-1,000 psi	12.0	25.0	3,000
0-2,000 psi	15.0	30.0	3,000
0-3,000 psi	37.0	75.0	7,000
0-5,000 psi	45.0	90.0	7,000

Deadband Notes

The deadbands listed in the tables are the maximum switch differentials when the Type 1 or Type 2 electric switch is used.

Deadband is affected by the type of electric switch used. Each type of electric switch's effect on deadband is as follows:

- Type 1** Low Deadband - Use table values
- Type 2** Std. Deadband - Use table values
- Type 3** High DC Rated - Multiply Type 2 table values by two
- Type 4** Hermetically Sealed Switch - Multiply Type 2 table values by six
- Type 6** Gold Contact - Use Type 2 table values



Series Number (how to order)

6WPS W 1 B V 2

SERIES

HOUSING' _____

W - WATERTIGHT - NEMA 4X & 12
X - EXPLOSION PROOF - NEMA 7 & 9

NUMBER OF ELECTRIC SWITCHES _____

1 - ONE S.P.D.T.
11 - TWO TANDEM ELECTRIC SWITCHES OPERATE IN PARALLEL D.P.D.T.
2 - TWO S.P.D.T. INDEPENDENT ADJUSTMENT
3 - THREE S.P.D.T. INDEPENDENT ADJUSTMENT
4 - FOUR S.P.D.T. INDEPENDENT ADJUSTMENT

SENSING ELEMENT _____

B - BELLOWS ACTUATED

SPECIAL FEATURES _____

-- NO SPECIAL FEATURES
A - ADJUSTABLE DEADBAND
E - EXTERNAL PRESSURE ADJUSTMENT
EE - TWO EXTERNAL PRESSURE ADJUSTMENTS
L - ONE INDICATOR LIGHT (NOT ON X HOUSING)
LL - TWO INDICATOR LIGHTS (NOT ON X HOUSING)
M - MALE PIPE MOUNTING 1/2 NPT
P - PANEL MOUNTING
Q - DOUBLE SNAP ACTION (BELLEVILLE SPRING)
R> - MANUAL RESET, SWITCH ON INCR. PR.
R< - MANUAL RESET, SWITCH ON DECR. PR.
V - HIGH TEMPERATURE SERVICE

TYPE OF ELECTRIC SWITCHES

1 - LOW DEADBAND
15A - 125, 250, 480 VAC
2 - STANDARD DEADBAND
15A - 125, 250, 480 VAC; 0.5A - 125 VDC
3 - HIGH DC RATED (MAGNETIC BLOWOUT)
10A - 125 VDC; 3A - 250 VDC
4 - HERMETICALLY SEALED SWITCH
1.A-125VAC; 25A.RES, 10A.IND, 5A.MOTOR
3A.LAMP-28VDC
6 - GOLD CONTACT -
1 A - 125 VAC

* SPECIAL FEATURES SUCH AS STAINLESS TAGGING, APPLICATION OF DIAPHRAGM SEALS, ETC. ARE AVAILABLE ON REQUEST. CONSULT WINTERS FOR CAPABILITIES AND PRICING FOR ANY FEATURES NOT SHOWN.