



### Ranges from 0-15 PSI to 0-5000 PSI

Rugged NEMA 4X, 12 and 13 housing  
 One or two SPDT contacts  
 Versatile mechanism design  
 Adjustable deadband available

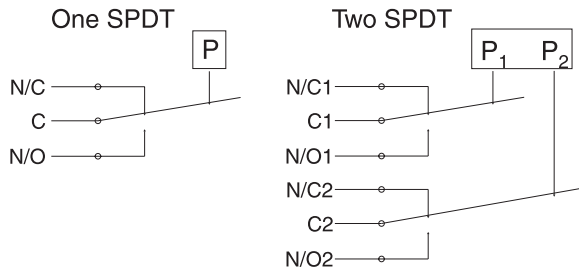
### Description & Features:

- Features a rugged cast aluminum housing (NEMA 4X, 12 and 13 standard) and cover incorporating Winters' accurate switching mechanism actuated by a stainless steel bellows assembly
- Either one or two SPDT electric switches are available in a variety of configurations: tandem settings for DPDT operation, independent adjustment for High-Low operation, adjustable switch differential (deadband), manual reset on either increasing or decreasing pressure
- Many switching configurations can be supplied with electric switches that have: low switch differentials (deadband), high direct current ratings, gold contacts, hermetically sealed contacts
- Wide variety of adjustable pressure ranges
- 1 year warranty

### Applications:

- Common applications include: pumping stations, remote locations, ideal for High-Low level control (requiring dual elements)

### Wiring Schematic



### Installation Notes

**Orientation** - The 5WPS Bellows Actuated will operate satisfactorily in any position. However, mounting the device vertically will allow the easiest adjustability and reduce sediment in the pressure chamber.

**Wiring** - Switches may be wired to 'normally open' or 'normally closed' terminals on electric switch(es).

**Pressure Connection** - 1/4" NPT female is standard. 1/2" NPT male is available.

**Adjustment** - Turn pressure adjustment nut(s) clockwise to increase setpoint. Detailed installation and calibration instructions are provided for every shipment. Settings adjustment is available at no charge.

### Specifications

Specifications	
<b>Housing</b>	Cast aluminum
<b>Pressure Connection</b>	1/4" NPT female standard 1/2" NPT male available
<b>Electrical Connection</b>	1/2" NPT
<b>Port Material</b>	SS with silver braze
<b>Bellows Material</b>	SS
<b>Deadband</b>	Fixed
<b>Sensitivity</b>	0.5% of range (for SPDT)
<b>Drift</b>	<1% of range (100,000 operations)
<b>Contact Ratings</b>	15A - 125, 250, 480 VAC
<b>Set Point Adjustment</b>	Screw type, field adjustable
<b>No. of Contacts</b>	One or Two SPDT, One DPDT
<b>Contact Listings</b>	UL Recognized, CSA Certified
<b>Maximum Ambient Temperature</b>	180F (82°C)
<b>Minimum Ambient Temperature</b>	-40°F (-40°C)
<b>Weight</b>	Approx. 3 lbs

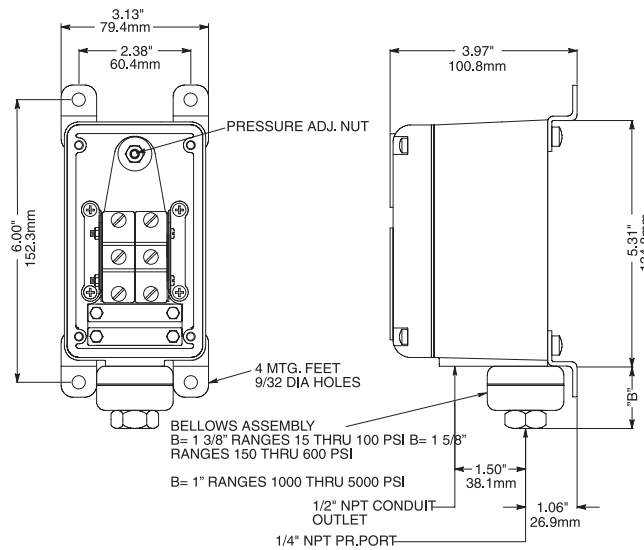
Adjustable Pressure Range		Maximum Deadband				Maximum Working Pressure	
		Type 1		Type 2			
psi	MPa	psi	kPa	psi	kPa	psi	MPa
0-15	0-0.104	0.7	4.83	1.5	10.34	300	2.07
0-30	0-0.207	0.8	5.52	1.7	11.72	300	2.07
0-60	0-0.414	0.9	6.21	1.9	13.10	300	2.07
0-100	0-0.69	1.1	7.58	2.2	15.17	300	2.07
0-150	0-1.035	4.0	27.58	8.5	58.61	1500	10.35
0-200	0-1.38	4.0	27.58	8.8	60.67	1500	10.35
0-300	0-2.07	5.0	34.47	9.5	65.5	1500	10.35
0-600	0-4.14	6.0	41.37	12.0	82.74	1500	10.35
0-1,000	0-6.90	15.0	103.4	30.0	206.8	3000	20.69
0-2,000	0-13.8	17.0	117.2	35.0	241.3	3000	20.69
0-3,000	0-20.7	40.0	275.8	82.0	565.4	7000	48.28
0-5,000	0-34.5	48.0	331.0	96.0	661.9	7000	48.28

### Deadband Notes

The deadbands listed in the tables are the maximum switch differentials when the Type 1 or Type 2 electric switch is used.

Deadband is affected by the type of switch used. Each type of switch's effect on deadband is as follows:

- Type 1** Low Deadband - Use table values
- Type 2** Std. Deadband - Use table values
- Type 3** High DC Rated - Multiply Type 2 table values by two
- Type 4** Hermetically Sealed Switch - Multiply Type 2 table values by 6
- Type 6** Gold Contact - Use Type 2 table values



### Series Number (how to order)

5WPS W 1 B V 2

MODEL SERIES

HOUSING:  
W - WATERTIGHT - NEMA 4X, 12 & 13

NUMBER OF ELECTRIC SWITCHES  
1 - ONE S.P.D.T.  
11 - TWO TANDEM ELECTRIC SWITCHES OPERATE IN PARALLEL D.P.D.T.  
2 - TWO S.P.D.T. INDEPENDENT ADJUSTMENT

SENSING ELEMENT  
B - BELLOWS ACTUATED

SPECIAL FEATURES  
-- NO SPECIAL FEATURES  
A - ADJUSTABLE DEADBAND  
E - EXTERNAL PRESSURE ADJUSTMENT  
EE - TWO EXTERNAL PRESSURE ADJUSTMENTS  
L - ONE INDICATOR LIGHT  
LL - TWO INDICATOR LIGHTS  
M - MALE PIPE MOUNTING 1/2 NPT  
Q - DOUBLE SNAP ACTION (BELLEVILLE SPRING)  
R> - MANUAL RESET, SWITCH ON INCR. PR.  
R< - MANUAL RESET, SWITCH ON DECR. PR.  
V - HIGH TEMPERATURE SERVICE

TYPE OF ELECTRIC SWITCHES  
1 - LOW DEADBAND  
15A - 125, 250, 480 VAC  
2 - STANDARD DEADBAND  
15A - 125, 250, 480 VAC; 0.5A - 125 VDC  
3 - HIGH DC RATED (MAGNETIC BLOWOUT)  
10A - 125 VDC; 3A - 250 VDC  
4 - HERMETICALLY SEALED SWITCH  
1A - 125VAC; 25A. RES, 10A. IND, 5A. MOTOR  
3A. LAMP-28VDC  
6 - GOLD CONTACT -  
1 A - 125 VAC

\* SPECIAL FEATURES SUCH AS STAINLESS TAGGING, APPLICATION OF DIAPHRAGM SEALS, ETC. ARE AVAILABLE ON REQUEST. CONSULT WINTERS FOR CAPABILITIES AND PRICING FOR ANY FEATURES NOT SHOWN.