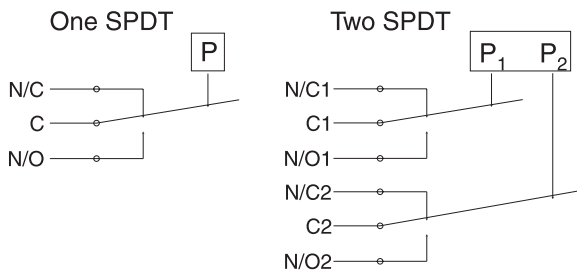




Ranges from 10 to 3000 PSI

Rugged NEMA 4X, 12 and 13 housing
One or two SPDT contacts
All metal sensing element
Field adjustable set points

Wiring Schematic



Installation Notes

Orientation - The 2WPSB Bellow Actuated will operate satisfactorily in any position. However, mounting the device vertically will allow the easiest adjustability and reduce sediment in the pressure chamber. Can also be adjusted to a diaphragm seal when corrosive media are present.

Wiring - Switches may be wired to 'normally open' or 'normally closed' terminals on electric switch(es). Single switch units have screw terminals while dual switch versions use a screw terminal block.

Pressure Connection - 1/4" NPT female is standard. 1/2" NPT male is available.

Adjustment - Turn pressure adjustment nut(s) clockwise to increase setpoint. Detailed installation and calibration instructions are provided for every shipment. Settings adjustment is available at no charge.

Description & Features:

- Features a rugged, compact, sensitive switching mechanism actuated by a bellows assembly
- Can be supplied with one SPDT electric switch or two SPDT electric switches that are independently adjusted
- Can be supplied as a basic unit with no housing, or enclosed in a rugged diecast NEMA 4X, 12 and 13 housing. With the cover of the enclosure removed, the terminals of the electric switch and pressure adjustments are exposed for easy wiring and adjustment of the pressure setting
- Diecast cover is equipped with captive stainless steel screws that retain the cover gasket when the cover is removed. A useful feature of the single switch enclosed model is a calibrated pressure adjustment that aligns with a numerical pressure indicating scale showing the set point range
- The bellows pressure sensing elements are constructed from stainless steel and are sized for a wide variety of pressure ranges
- Other options can be specified
- 1 year warranty

Applications:

- Common applications include: tank/compressor level and precision control, hydraulic systems, pumping controls and hazardous area lift station controls

Specifications	
Housing	Diecast aluminum
Pressure Connection	1/4" NPT female standard 1/2" NPT male available
Electrical Connection	1/2" NPT male
Port Material	SS with silver braze
Bellows Material	SS
Deadband	Fixed
Sensitivity	0.5% of range (for SPDT)
Drift	<1% of range (100,000 operations)
Contact Ratings	15A - 125, 250, 480 VAC
Set Point Adjustment	Screw type, field adjustable
No. of Contacts	One or two SPDT
Contact Listings	UL Recognized, CSA Certified
Maximum Ambient Temperature	250°F (121°C)
Minimum Ambient Temperature	-40°F (-40°C)
Weight	Approx. 1.8 lbs

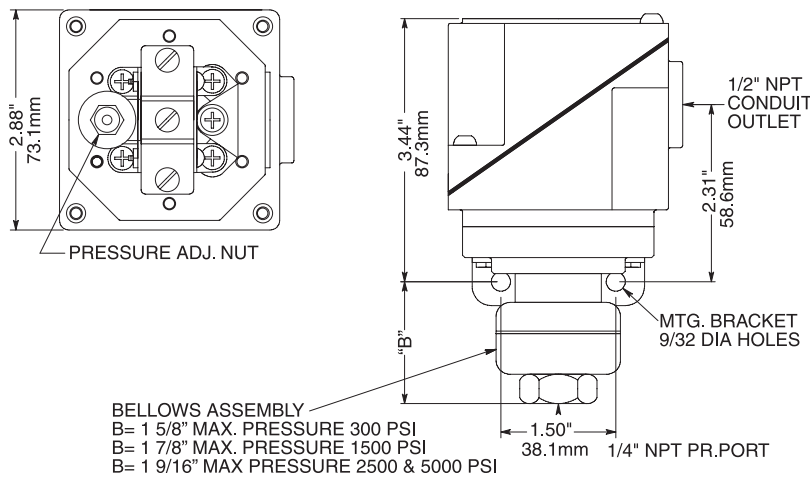
Adjustable Pressure Range		Maximum Deadband				Maximum Working Pressure			
		Type 2		Type 5		Type 2		Type 5	
psi	MPa	psi	kPa	psi	kPa	psi	MPa	psi	MPa
0-10	0-0.69	0.80	5.52	1.5	10.34	300	2.069	300	2.069
0-20	0-0.138	0.90	6.21	2.3	15.86	300	2.069	300	2.069
0-50	0-0.345	1.0	7.00	5.2	35.85	300	2.069	300	2.069
0-100	0-0.69	1.5	10.34	13	89.63	300	2.069	1500	10.35
0-250	0-1.724	6	41.37	27	186.2	1500	10.35	1500	10.35
0-500	0-3.448	8	55.16	58	400.0	1500	10.35	2500	17.24
0-750	0-5.172	16	110.3	77	530.9	2500	17.24	2500	17.24
0-1,000	0-6.897	19	131.0	183	1261.7	2500	17.24	5000	34.48
0-1,500	0-10.345	58	400.0	232	1599.6	5000	34.48	5000	34.48
0-2,000	0-13.793	-	-	240	1654.7	-	-	5000	34.48
0-3,000	0-20.69	66	455.1	-	-	5000	34.48	-	-

Deadband Notes

The deadbands listed in the tables are the maximum switch differentials when the standard (Type 2 or Type 5) electric switch is used.

Deadband is affected by the type of switch used. Each type of switch's effect on deadband is as follows:

- Type 1** Low Deadband - Use 1/2 Type 2 table values
- Type 2** Std. Deadband - Use table values
- Type 3** High DC Rated - Multiply Type 2 table values by two
- Type 5** Sub Miniature - 2 SPDT - Use Type 5 table values
- Type 6** Gold Contact - Use Type 2 table values



Series Number (how to order)

