

**Description & Features:**

- Lightweight stainless steel, compact
- Weather resistant
- Customizable
- Available in all standard ranges including in/Hg, and up to 5,000 psi
- NEMA 4/IP65 rating and CE approved
- CSA File 211107-2500042261
- 1 year warranty

Applications:

- Suitable for all hydraulic, pneumatic, level and industrial applications requiring a rugged, versatile and economical transmitter

Specifications	
Electrical Output Signal	2-wire: 4...20 mA
Electrical Connection	DIN
Excitation Voltage	$V_S = 12...36 V_{DC}$
Housing	304 SS
Wetted Parts/Connection	Pressure port: 303 Seals: $P_N < 1,500$ psi: FKM Diaphragm: Ceramic Al_2O_3 96%
Normal Operating Temperature Range	-13°F to 257°F (-25°C to 125°C)
Compensated Temperature Range	-13°F to 185°F (-25°C to 85°C)
Temperature Effect on Zero/Span	Less than $\pm 0.5\%$ FSO per 10 K
Accuracy	$\pm 0.5\%$ FSO BFSL
Stability	Vibration: 10g RMS (20-2,000 Hz) Shock: 100g/11ms
Enclosure Rating	NEMA 4X/IP65
Amp. Draw	0.02 amps @ full scale
Sensor	Ceramic

Note: Other connections available upon request

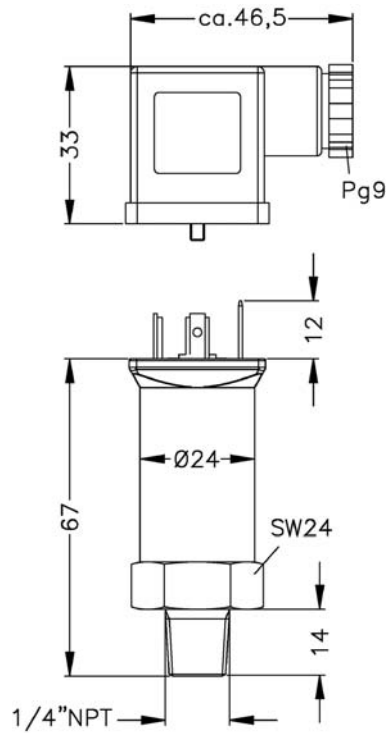
Order Codes

Range	Permissible Overpressure	Code
0-25 psi	100 psi	LE325
0-50 psi	170 psi	LE350
0-100 psi	170 psi	LE3100
0-300 psi	720 psi	LE3300
0-500 psi	1,750 psi	LE3500
0-1,000 psi	1,750 psi	LE31000
0-3,000 psi	5,800 psi	LE33000
0-5,000 psi	8,700 psi	LE35000

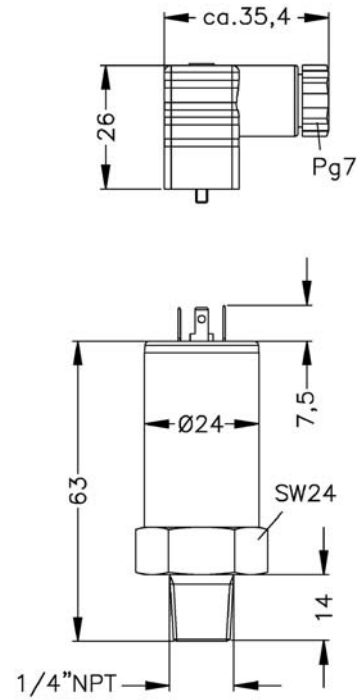
LE3 LE3 Series Transmitter

Mechanical Connection

Standard

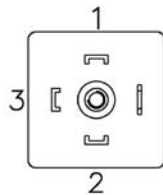


Option

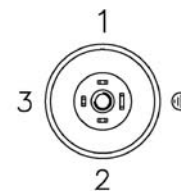


Electrical Connection

Standard



Option

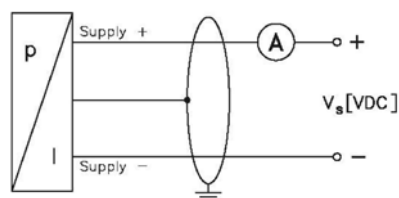


Pin Configuration

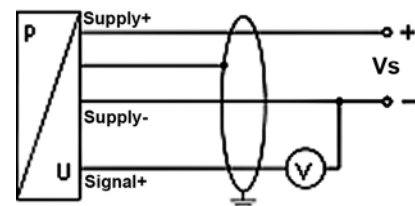
Electrical Connection	ISO 4400	Micro (contact distance 9.4mm)
Supply+	1	1
Supply-	2	2
Signal+ (for 3-wire)	3	3
Ground	Ground Contact	Ground Contact

Wiring Diagram

2-wire system (current)



3-wire system (voltage)



Note: Measurements are in mm

Series Number (for custom, non-standard product)

	L	E	3	-				-											
SERIES																			
RANGE																			
25					1	6	1												
50					2	5	1												
100					4	0	1												
300					6	0	1												
500					1	0	2												
1000					1	6	2												
3000					2	5	2												
5000					4	0	2												
30"Hg					6	0	2												
Custom					9	9	9												
PRESSURE																			
Gauge								R											
OUTPUT																			
4...20 mA / 2-wire									1										
ACCURACY																			
0.5%										8									
Custom										9									
ELECTRICAL CONNECTION																			
Male and female plug ISO 4400											1	0							
Cable gland incl. cable *											4	0							
M12x1 (4-pin)											M	1							
DIN											D	N							
Custom											9	9							
MECHANICAL CONNECTION																			
G1/4" DIN 3852													3	0					
1/4" NPT														N	4				
Custom														9	9				
DESIGN																			
Hexagon on housing																		1	
Hexagon on pressure port **																		2	
SEALS																			
For Pn<1400 psi / FKM																			1
For Pn >1400 psi / NBM																			5
Custom																			9
SPECIAL																			
Standard																			S
Custom																			C

* different cable types and lengths available; standard: 2m PVC cable without ventilation tube, optional cable with ventilation tube

** 1/4" NPT only available