



Description & Features:

- Versatile, heavy duty gas or vapour thermometer for remote reading applications
- Built to order
- 2.5" (63mm) to 8.5" (215mm) dials available
- Brass or stainless steel capillary and bulbs
- Plain, sliding union or thermowell connection
- Capillary lengths over 5 feet available
- 1/2" bulb diameter
- Panel or direct mount
- Gas: $\pm 0.5\%$ accuracy
Vapour: $\pm 2\%$ accuracy
- 1 year warranty

Applications:

- For remote temperature sensing

To order, specify the Code for each section and the Range:

i.e. TRR3 - 2 - 35 - 1 - 05 - 1 - 50/250°F

Section	Code	Description Type	Section	Code	Description Bulb and Capillary			
					Bulb Type	Bulb Material	Capillary Material	Capillary Protection
I	TRR1	Gas Remote Reading	IV	1	Plain	Brass	Copper	Copper Double Braided
	TRR2	Gas Direct Reading		2	Plain	316 SS	316 SS	None
	TRR3	Vapour Remote Reading		3	Plain	316 SS	316 SS	SS Armour
	TRR4	Vapour Direct Reading	V	Capillary Length (ft)				
Case Type, Connection		05		Standard, 5 feet (1.5m)				
II	1	Bottom connection, back flange	VI	-	Use 2 digits ie: 15 = 15 feet			
	Connection			0	None			
	2	Back connection, front flange		1	1/2" NPT brass union			
	3	Back connection, back flange		2	1/2" NPT SS union			
III	Dial Size		VI	3	3/4" NPT brass union			
	25	2.5" (63mm)		4	3/4" NPT SS union			
	35	3.5" (90mm) Back connection only		5	1/2" NPT brass thermowell			
	40	4" (100mm)		6	1/2" NPT SS thermowell			
	45	4.5" (115mm)		7	3/4" NPT brass thermowell			
	60	6" (150mm)		8	3/4" NPT SS thermowell			
	85	8.5" (215mm)						

Vapour Ranges	°F only	°F & °C	°C only
All Dial Sizes	-40°F to 110°F	-40°F to 110°F & -40°C to 40°C	-40°C to 40°C
	0°F to 100°F	0°F to 100°F & -20°C to 38°C	-20°C to 38°C
	0°F to 180°F	0°F to 180°F & -20°C to 80°C	-20°C to 80°C
	20°F to 220°F	20°F to 220°F & 0°C to 100°C	0°C to 100°C
	50°F to 250°F	50°F to 250°F & 10°C to 120°C	10°C to 120°C
	50°F to 300°F	50°F to 300°F & 10°C to 150°C	0°C to 150°C
	100°F to 350°F	100°F to 350°F & 40°C to 175°C	40°C to 175°C
	200°F to 450°F	200°F to 450°F & 100°C to 230°C	100°C to 230°C
Gas Ranges			
All Dial Sizes	0°F to 100°F	0°F to 100°F & -20°C to 38°C	-20°C to 40°C
	-40°F to 110°F	-40°F to 110°F & -40°C to 40°C	-40°C to 40°C
	-20°F to 120°F	-20°F to 120°F & -28°C to 48°C	-30°C to 50°C
	30°F to 150°F	30°F to 150°F & -1°C to 65°C	-1°C to 65°C
	0°F to 180°F	0°F to 180°F & -20°C to 80°C	-20°C to 80°C
	30°F to 240°F	30°F to 240°F & -1°C to 115°C	-1°C to 115°C
	40°F to 220°F	40°F to 220°F & 4°C to 100°C	0°C to 100°C
	80°F to 300°F	80°F to 300°F & 26°C to 148°C	0°C to 150°C
	100°F to 400°F*	100°F to 400°F* & 40°C to 204°C*	0°C to 200°C
	100°F to 500°F*	100°F to 500°F* & 40°C to 260°C*	0°C to 260°C
	0°F to 600°F*	0°F to 600°F* & -20°C to 315°C*	0°C to 300°C
	200°F to 1,000°F*	200°F to 1,000°F* & 100°C to 537°C*	0°C to 500°C

*Ranges require stainless steel capillary and bulb

Please contact us for:

Duct flanges

Sliding union

Stainless steel 4" (100mm) and 6" (150mm) cases and capillary available on gas remote/direct reading models

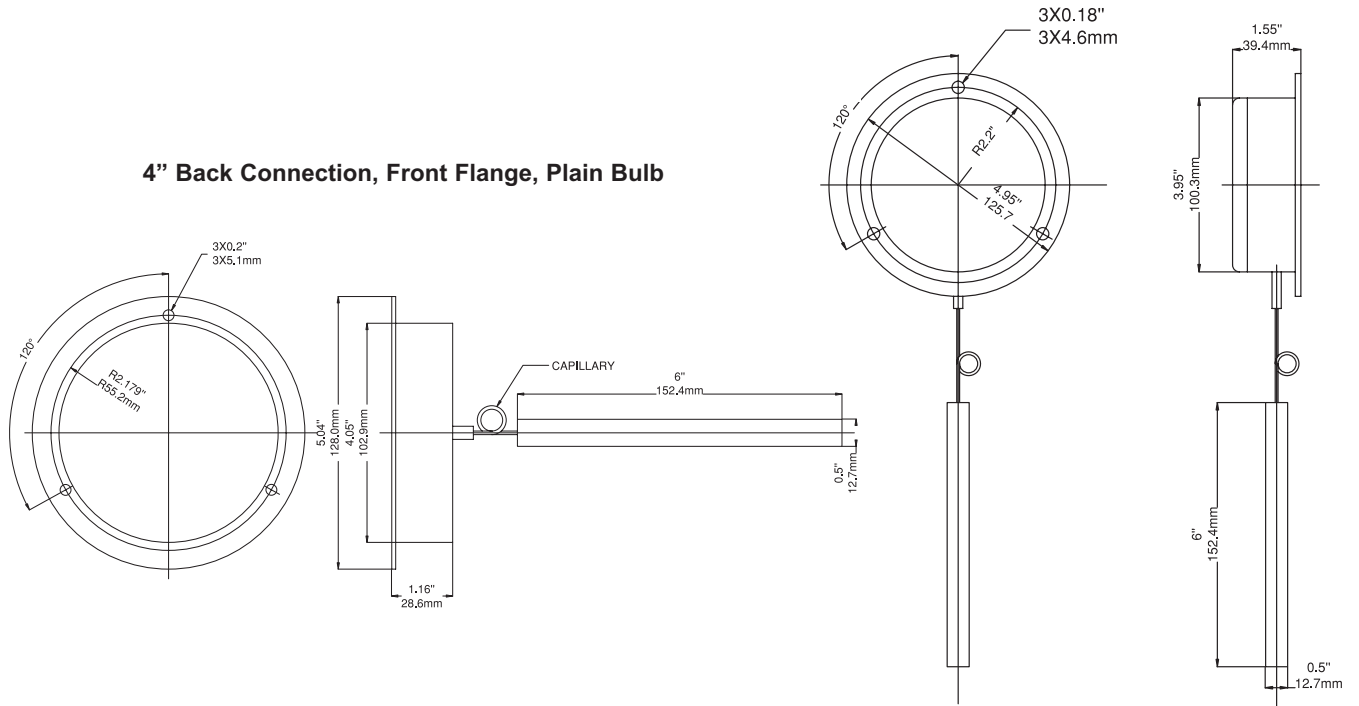
Various bulb dimensions

Averaging bulb (gas only)

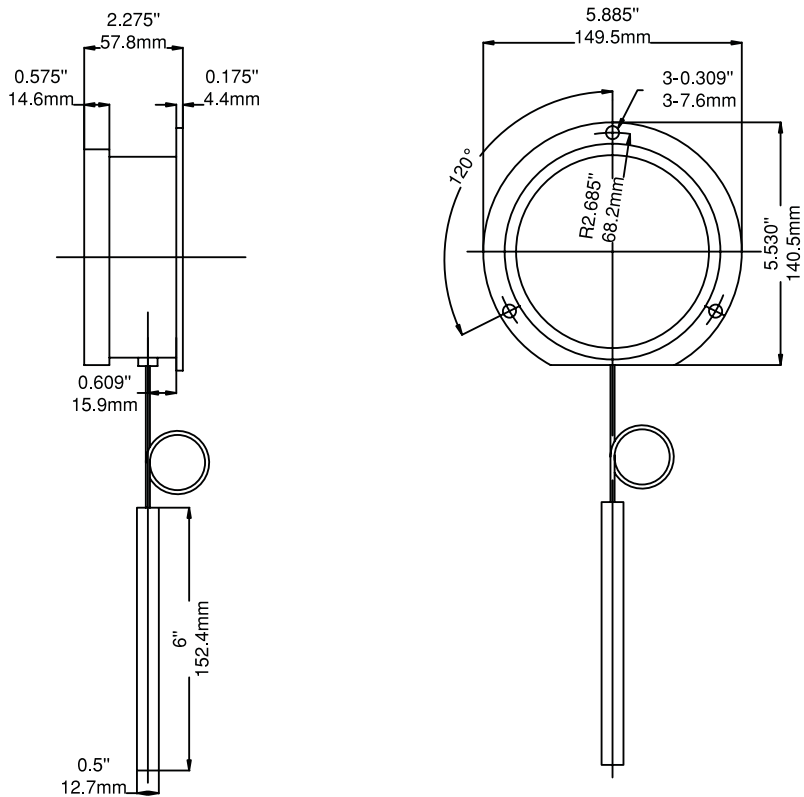
Other ranges

Note: The use of a thermowell is recommended to protect the thermometer in corrosive or pressure applications, as well as to maintain a closed system during its removal from the process

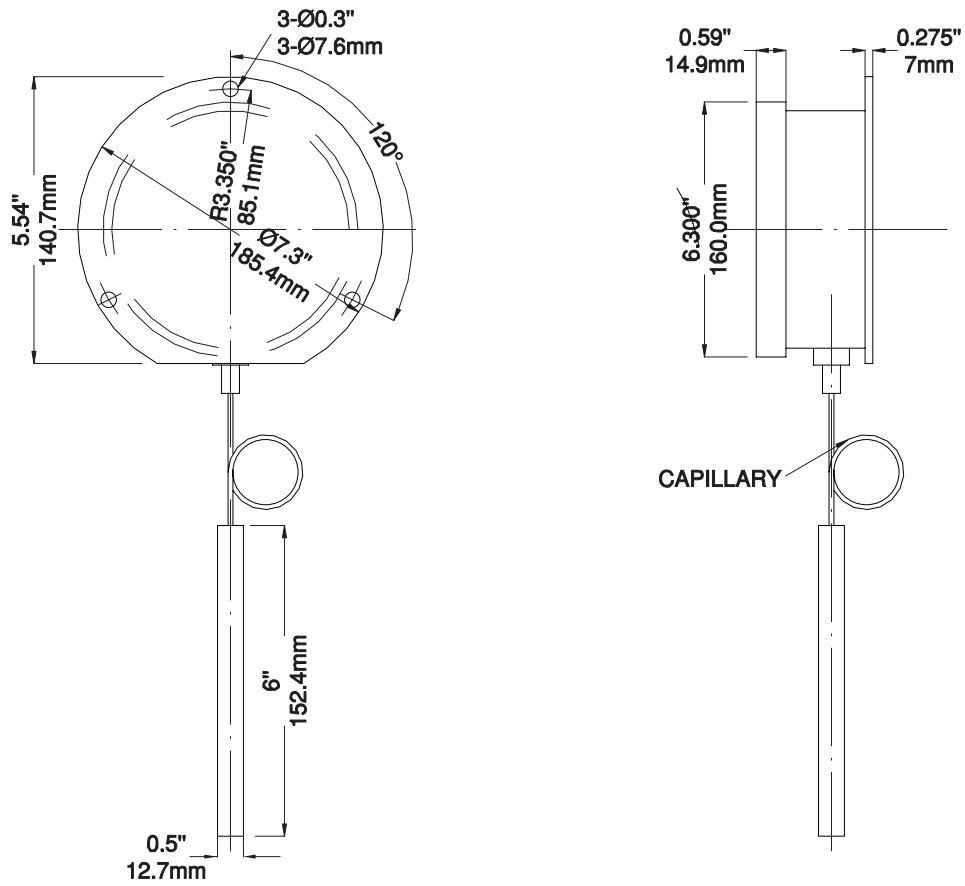
4" Bottom Connection, Back Flange, Plain Bulb



4.5" Bottom Connection, Back Flange, Plain Bulb



6" Gas Remote Reading, Bottom Connection, Back Flange, Plain Bulb



Series Number (for custom, non-standard product)

	T	R	R															
SERIES																		
TYPE																		
Gas Remote Reading		A																
Gas Direct Reading		B																
Vapour Remote Reading		C																
Vapour Direct Reading		D																
CASE AND CONNECTION																		
Bottom connection, back flange						1												
Back connection, front flange						2												
Back connection, back flange						3												
Vari-angle connection (direct reading only)						4												
DIAL SIZE (CASE MATERIAL)																		
2.5" (304SS)							2	5										
3.5" (steel)							3	5										
4" (steel)							4	0										
4.5" (aluminum)							4	5										
6" (aluminum)							6	0										
8.5" (aluminum)							8	5										
THREAD SIZE AND TYPE																		
None							0	0										
1/2" NPT							2	N										
3/4" NPT							3	N										
CONNECTION																		
None									N									
Brass Union									S									
SS Union									T									
Brass Thermowell									U									
SS Thermowell									V									
BULB MATERIAL																		
Brass									B									
316 stainless steel									S									
BULB DIAMETER																		
1/2"										2								
BULB LENGTH																		
6"											0	6						
Others (specify in inches)											X	X						
CAPILLARY MATERIAL AND PROTECTION																		
Copper, copper double braided													C					
Stainless steel, stainless steel armour													A					
Stainless steel, none													N					
CAPILLARY LENGTH																		
5 ft. (standard)														0	5			
Others (5 ft. lengths)														X	X			
RANGE - See page 194																		
OPTIONS																		
Duct flange																		D
Metal tag plate																		M