

# PSB Premium Stainless Steel StabilizR™ Gauge



## Description & Features:

- StabilizR™ dampened movement minimizes effects of pulsation and vibration without liquid filling
- Stainless steel case
- Back, bottom, or panel mounted
- 316L stainless steel wetted parts
- CRN registered
- 5 year warranty

## Applications:

- Ideally suited for process, chemical and petroleum industry
- Where chemical compatibility and contamination is a concern

Specifications	
Dial	2.5" (63mm), 4" (100mm) white aluminum with black and red markings
Case	AISI 304 SS (dry)
Lens	Polycarbonate
Ring	AISI 304 SS bayonet
Socket	316L SS
Connection	2.5" dial: 1/4" NPT with restrictor screws 4" dial: 1/4", 1/2" NPT with restrictor screws
Bourdon Tube	316L SS
Movement	304 SS, dampened
Pointer	Aluminum, anodized black
Over-Pressure Limit	30% for pressures up to 600 psi (4,147 kPa), 20% for pressures over 600 psi (4,147 kPa)
Ambient/Process Temperature	-40°F to 250°F (-40°C to 120°C)
Working Pressure	Maximum 75% of full scale value
Accuracy	2.5" (63mm): ±1.5% of full scale 4" (100mm): ±1% ANSI/ASME Grade 1A

## Order Codes

Dial Size	2.5 (63mm)		4" (100mm)			
Connection	1/4" Bottom	1/4" Back (CB)	1/4" Bottom	1/4" Bottom	1/4" Back (LB)	1/2" Back (LB)
30" Hg Vacuum/kPa	PSB820Z	PSB840Z	PSB640Z	PSB1090Z	PSB655Z	-
30"-0-15 psi/kPa	PSB860Z	PSB870Z	PSB1036Z	PSB1244Z	PSB1044Z	-
30"-0-30 psi/kPa	PSB861Z	PSB871Z	PSB1037Z	PSB1245Z	PSB1045Z	-
30"-0-60 psi/kPa	PSB862Z	PSB872Z	PSB1038Z	PSB1246Z	PSB1046Z	-
30"-0-100 psi/kPa	PSB863Z	PSB873Z	PSB1039Z	PSB1247Z	PSB1047Z	-
30"-0-150 psi/kPa	PSB864Z	PSB874Z	PSB1040Z	PSB1248Z	PSB1048Z	-
30"-0-200 psi/kPa	PSB866Z	PSB876Z	PSB1042Z	PSB1249Z	PSB1050Z	-
30"-0-300 psi/kPa	PSB867Z	PSB877Z	PSB1043Z	PSB1250Z	PSB1051Z	-
0-15 psi/kPa	PSB821Z	PSB921Z	PSB641Z	PSB1091Z	PSB656Z	-
0-30 psi/kPa	PSB822Z	PSB922Z	PSB642Z	PSB1092Z	PSB657Z	-
0-60 psi/kPa	PSB823Z	PSB923Z	PSB643Z	PSB1093Z	PSB658Z	-
0-100 psi/kPa	PSB824Z	PSB924Z	PSB644Z	PSB1094Z	PSB659Z	-
0-160 psi/kPa	PSB825Z	PSB925Z	PSB645Z	PSB1095Z	PSB660Z	-
0-200 psi/kPa	PSB826Z	PSB926Z	PSB646Z	PSB1096Z	PSB661Z	-
0-300 psi/kPa	PSB827Z	PSB927Z	PSB647Z	PSB1097Z	PSB662Z	-
0-400 psi/kPa	PSB880Z	PSB881Z	PSB650Z	PSB1251Z	PSB666Z	-
0-600 psi/kPa	PSB828Z	PSB928Z	PSB648Z	PSB1098Z	PSB663Z	-
0-1,000 psi/kPa	PSB829Z	PSB929Z	PSB649Z	PSB1099Z	PSB664Z	-
0-1,500 psi/kPa	PSB834Z	PSB934Z	-	PSB1252Z	PSB665Z	PSB1190Z
0-2,000 psi/kPa	PSB830Z	PSB930Z	-	PSB1253Z	PSB667Z	PSB1191Z
0-3,000 psi/kPa	PSB831Z	PSB931Z	-	PSB1254Z	PSB668Z	PSB1192Z
0-5,000 psi/kPa	PSB832Z	PSB852Z	-	PSB1255Z	PSB669Z	PSB1193Z
0-6,000 psi/kPa	PSB836Z	PSB851Z	-	PSB1259Z	PSB675Z	PSB1197Z
0-10,000 psi/kPa	PSB833Z	PSB853Z	-	PSB1256Z	PSB670Z	PSB1194Z
0-15,000 psi/kPa	PSB835Z	PSB855Z	-	PSB1257Z	PSB671Z	PSB1195Z
0-20,000 psi/kPa	-	-	-	PSB1258Z	PSB672Z	PSB1196Z

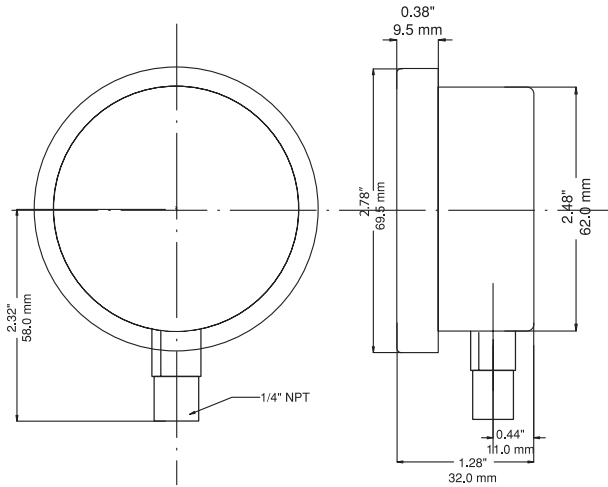
### Option suffix for above order codes only:

25BF = 2.5" (63mm) back flange  
 25UC = 2.5" (63mm) U-Clamp  
 4BF = 4" (100mm) back flange  
 4UC-P = 4" U-Clamp premium  
 SG25 = 2.5" (63mm) safety glass lens

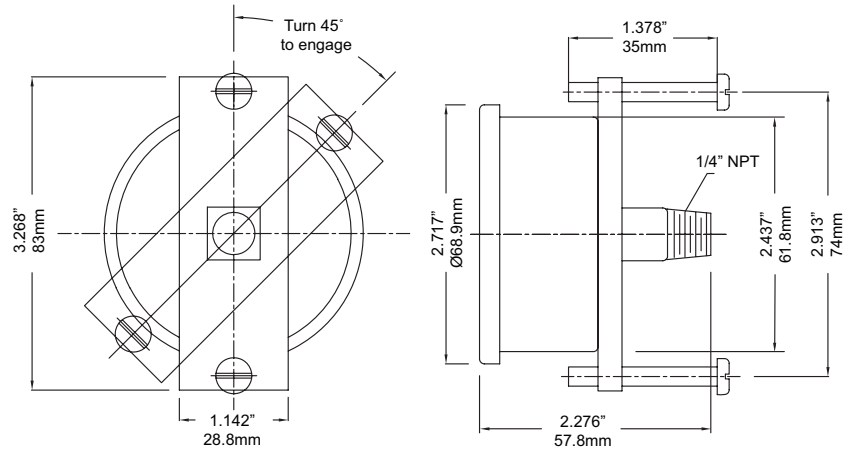
25FF = 2.5" (63mm) front flange  
 4FF = 4" (100mm) front flange  
 SG-4 = Safety glass lens 4"  
 25BOOT = 2.5" (63mm) black rubber boot  
 MAXI25 = 2.5" (63mm) maximum adjustable pointer

Note: Other connection sizes available upon request

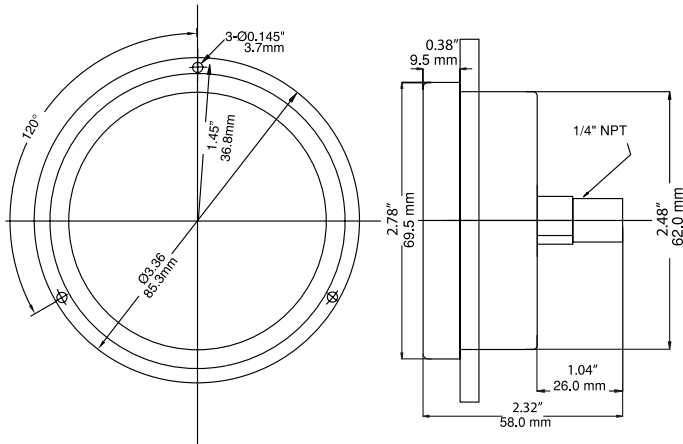
**2.5" Stainless Steel Bottom Connection**



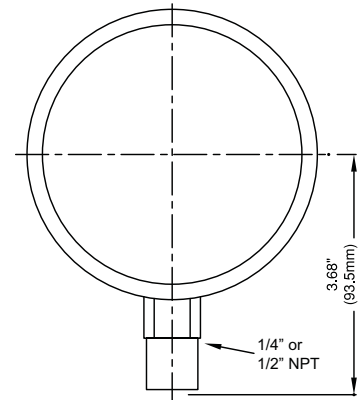
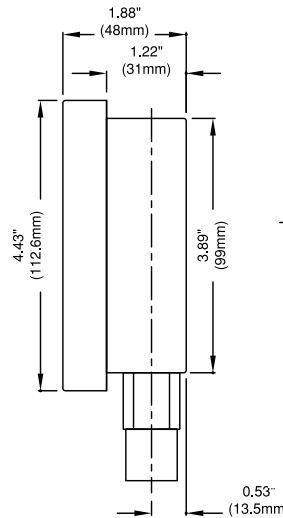
**2.5" Stainless Steel Back Connection U-Clamp**



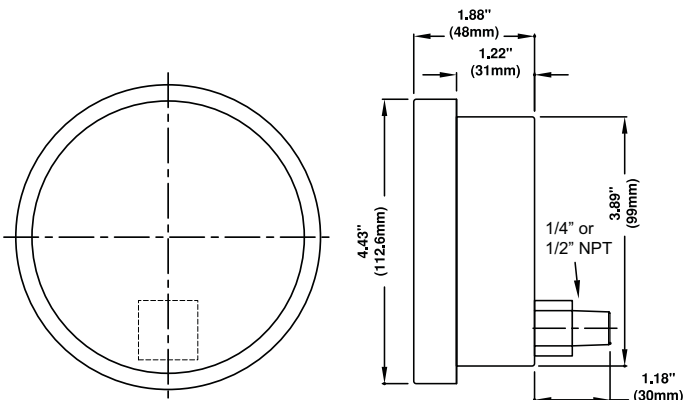
**2.5" Stainless Steel Back Connection Front Flange**



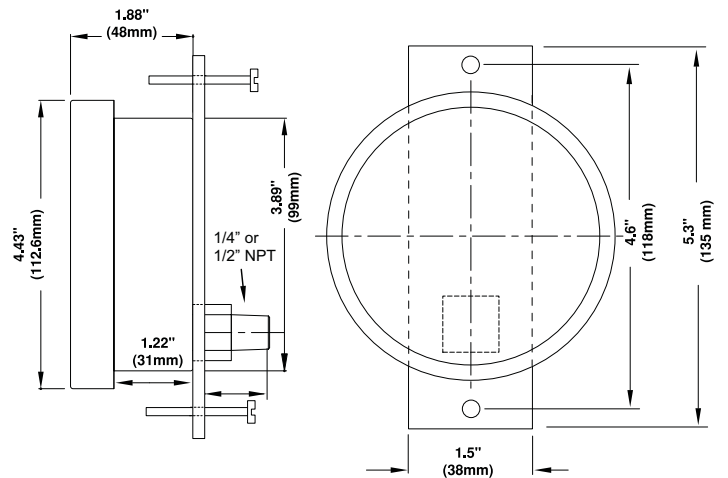
**4" Bottom Connection**



**4" Lower Back Connection**



**4" Lower Back Connection with U-Clamp**



## Series Number (for custom, non-standard product)

	P	S	B															
<b>SERIES</b>																		
<b>DIAL SIZE</b>																		
2.5" (63mm)				2	5													
4.0" (100mm)				4	0													
4.5" (115mm)				4	5													
6.0" (150mm)				6	0													
<b>CASE MATERIALS</b>																		
304SS																		
316SS																		
Aluminum																		
Phenolic																		
<b>WETTED PARTS</b>																		
Brass																		
316SS																		
Monel																		
Special																		
<b>CONFIGURATION</b>																		
Bottom Connection, Stem Mounting																		
Bottom Connection, Back Flange, Surface Mounting																		
Bottom Connection, Front Flange, Surface Mounting																		
Back Connection, Stem Mounting																		
Back Connection, Back Flange, Surface Mounting																		
Back Connection, Wide Front Flange, (Drilled) Panel Mounting																		
Back Connection, Wide Front Flange, (Undrilled) Panel Mounting																		
Back Connection, Narrow Front Ring, Panel Mounting (Yoke)																		
Special																		
<b>CONNECTION SIZE</b>																		
1/8"																		
1/4"																		
3/8"																		
1/2"																		
Special																		
<b>THREAD</b>																		
NPT																		
BSP (G)																		
BSPT (R)																		
M14 x 1.5																		
M20 x 1.5																		
Special																		
<i>PRIMARY SCALE</i>																		
<b>UNITS - See Page 13</b>																		
<b>RANGE - See Page 13</b>																		
<i>SECONDARY SCALE</i>																		
<b>UNITS - See Page 13</b>																		
<b>OPTIONS</b>																		
Black Rubber Boot																		S Z
Blowout Disk																		S B
Maximum Adjustable Pointer																		S J
Oxygen Cleaning																		S L
Safety Glass																		S A
Stainless Steel Tag Plate																		S M
Test Certificate																		S O
No Options																		X X