

PPC Process Gauge



1. Optional Hinged Case
2. Optional Flush Mounting Ring

Description & Features:

- Field liquid-fillable, thermoplastic solid front blowout back safety case
- $\pm 0.5\%$ accuracy
- Stainless steel full rotary movement for longer life
- Micrometer pointer for ease in calibration
- Under and overload stops
- 316L stainless steel, brass, Monel® or carbon steel wetted parts
- CRN registered
- 5 year warranty

Applications:

- Used where operator safety is a must
- Ideally suited for process, chemical and petroleum industries
- Highly corrosive media

Specifications	Stainless Steel Internals	Brass Internals
Dial	4.5" (115mm) white aluminum with black and red markings	4.5" (115mm) white aluminum with black and red markings
Case	Black impact resistant thermoplastic, with safety blowout back, solid front, integral back flange	Black impact resistant thermoplastic, with safety blowout back, solid front, integral back flange
Solid Wall	Thermoplastic	Thermoplastic
Lens	Polycarbonate	Polycarbonate
Ring	Ethylene propylene	Ethylene propylene
Pointer	Aluminum, anodized black, micrometer adjustable	Aluminum, anodized black, micrometer adjustable
Socket	316L SS	OT 58 brass
Connection	1/4" NPT or 1/2" NPT standard, bottom	1/4" NPT or 1/2" NPT standard, bottom
Bourdon Tube	316L SS, drawn seamless	Phosphor bronze
Movement	304 SS with over/under stops	304 SS with over/under stops
Gasket Materials	Silicone	Silicone
Welding	TIG	Silver alloy
Over-pressure Limit	25% for pressures up to 1500 psi/kPa, 15% for pressures 1501 to 8700 psi/kPa, 10% for pressures above 8701 psi/kPa	25% for pressures up to 1500 psi/kPa, 15% for pressures 1501 to 8700 psi/kPa, 10% for pressures above 8701 psi/kPa
Working Pressure	Maximum 75% of full scale value	Maximum 75% of full scale value
Ambient/Process Temperature	-40°F to 200°F (-40°C to 93°C) dry / -4°F to 150°F (-20°C to 65°C) glycerin-filled	-40°F to 200°F (-40°C to 93°C) dry / -4°F to 150°F (-20°C to 65°C) glycerin-filled
Accuracy	$\pm 0.5\%$ ANSI/ASME Grade 2A	$\pm 0.5\%$ ANSI/ASME Grade 2A
Enclosure Rating	IP65	IP65

Monel® is a registered trademark of Inco Alloys International

Order Codes (products in bold are normally in stock)

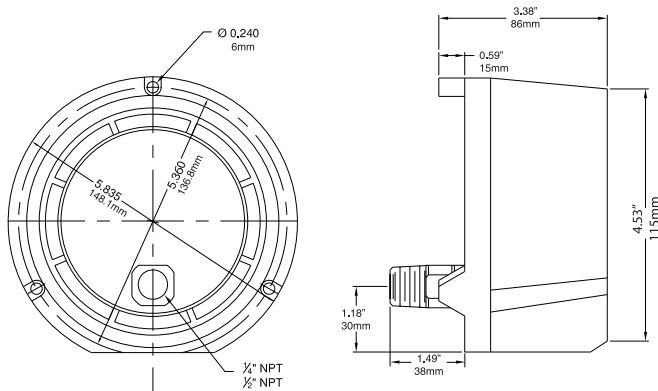
Connection	1/4" Bottom	1/4" Back (LB)	1/4" Bottom	1/4" Back (LB)	1/2" Bottom	1/2" Back (LB)
Socket, Tube	Brass	Brass	SS	SS	SS	SS
30" Hg Vacuum/kPa	PPC5080	PPC5280	PPC5040	PPC5340	PPC5060	PPC5460
30"-0-15 psi/kPa	PPC5120	PPC5220	PPC5130	PPC5330	PPC5140	PPC5440
30"-0-30 psi/kPa	PPC5121	PPC5221	PPC5131	PPC5331	PPC5141	PPC5441
30"-0-60 psi/kPa	PPC5122	PPC5222	PPC5132	PPC5332	PPC5142	PPC5442
30"-0-100 psi/kPa	PPC5123	PPC5223	PPC5133	PPC5333	PPC5143	PPC5443
30"-0-160 psi/kPa	PPC5124	PPC5224	PPC5134	PPC5334	PPC5144	PPC5444
30"-0-200 psi/kPa	PPC5125	PPC5225	PPC5135	PPC5335	PPC5145	PPC5445
30"-0-300 psi/kPa	PPC5126	PPC5226	PPC5136	PPC5336	PPC5146	PPC5446
0-15 psi/kPa	PPC5081	PPC5281	PPC5041	PPC5341	PPC5061	PPC5461
0-30 psi/kPa	PPC5082	PPC5282	PPC5042	PPC5342	PPC5062	PPC5462
0-60 psi/kPa	PPC5083	PPC5283	PPC5043	PPC5343	PPC5063	PPC5463
0-100 psi/kPa	PPC5084	PPC5284	PPC5044	PPC5344	PPC5064	PPC5464
0-160 psi/kPa	PPC5085	PPC5285	PPC5045	PPC5345	PPC5065	PPC5465
0-200 psi/kPa	PPC5086	PPC5286	PPC5046	PPC5346	PPC5066	PPC5466
0-300 psi/kPa	PPC5087	PPC5287	PPC5047	PPC5347	PPC5067	PPC5467
0-400 psi/kPa	PPC5088	PPC5288	PPC5048	PPC5348	PPC5068	PPC5468
0-600 psi/kPa	PPC5089	PPC5289	PPC5049	PPC5349	PPC5069	PPC5469
0-1,000 psi/kPa	PPC5098	PPC5298	-	-	-	-
Connection Size	1/2"	1/2"	1/4"	1/4"	1/2"	1/2"
0-1,000 psi/kPa	PPC5090	PPC5290	PPC5050	PPC5350	PPC5070	PPC5470
0-1,500 psi/kPa	PPC5091	PPC5291	PPC5051	PPC5351	PPC5071	PPC5471
0-2,000 psi/kPa	PPC5092	PPC5292	PPC5052	PPC5352	PPC5072	PPC5472
0-3,000 psi/kPa	PPC5093	PPC5293	PPC5053	PPC5353	PPC5073	PPC5473
0-5,000 psi/kPa	PPC5094	PPC5294	PPC5054	PPC5354	PPC5074	PPC5474
0-10,000 psi/kPa	PPC5095	PPC5295	PPC5055	PPC5355	PPC5075	PPC5475
0-15,000 psi/kPa	PPC5096	PPC5296	PPC5056	PPC5356	PPC5076	PPC5476
0-20,000 psi/kPa	PPC5097	PPC5297	PPC5057	PPC5357	PPC5077	PPC5477

Option suffix for above order codes only:

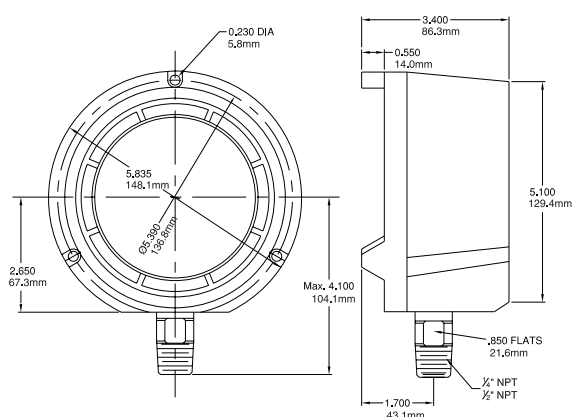
G = Glycerin (bottom connect only)
 SG-45 = Safety glass
 MS = Monel® tube and socket
 FMR = Flush mounting ring

6HCS = 6" Solid front hinged case (back connection only)
 CS = Carbon steel socket
 SF45 = Silicone fill
 HCSF = Solid front hinged case (back connection only)

4.5" Back Connection



4.5" Bottom Connection with Integral Back Flange



Monel® is a registered trademark of Inco Alloys International

Series Number (for custom, non-standard product)

	P	P	C	-			-		-		-		-			-		-			-			
SERIES																								
DIAL SIZE																								
4.5" (115mm)	4		5																					
CASE MATERIALS																								
Phenolic																							F	
WETTED PARTS																								
Brass																							B	
316SS																							S	
Monel																							M	
Special																							Z	
CONFIGURATION																								
Bottom Connection, Back Flange, Surface Mounting																							B	
Back Connection, Back Flange, Surface Mounting																							E	
Special																							Z	
CONNECTION SIZE																								
1/4"																							4	
1/2"																							2	
THREAD																								
NPT																							N	
BSP (G)																							B	
BSPT (R)																							T	
Special																							Z	
PRIMARY SCALE																								
UNITS - See Page 13																								
RANGE - See Page 13																								
SECONDARY SCALE																								
UNITS - See Page 13																								
OPTIONS																								
Fluorolube Filled																							S	R
Flush Mounting Ring																							S	P
Glycerin Filled																							S	E
Halocarbon Filled																							S	Q
Hinged Case																							S	T
Maximum Adjustable Pointer																							S	J
Monel Socket and Tube																							S	W
NACE-MR0175-2002																							S	5
Oxygen Cleaning																							S	L
Silicone Filled																							S	D
Safety Glass																							S	A
Stainless Steel Tag Plate																							S	M
StabiliZR™ Movement																							S	3
Test Certificate																							S	O
Glycerin Filled + Safety Glass																							D	K
Glycerin/Water Filled																							S	F
Safety Glass + Hinged Case																							D	J
Safety Glass + Monel Socket and Tube																							D	O
Safety Glass + Maximum Adjustable Pointer																							D	Q
Hinged Case + Monel Socket and Tube																							D	R
Safety Glass + Maximum Adjustable Pointer + Hinged Case																							T	E
No Options																							X	X