



Description & Features:

- Designed for sour gas applications requiring NACE Standards MR0175-2002 (NACE Standards MR0103-2003 available)
- Pressure release disk standard
- Gauge meets minimum hardness requirements
- CRN registered
- 5 year warranty

Applications:

- Sour gas applications requiring gauges that meet NACE International Standards

Specifications	
Dial	4" (100mm) aluminum with black and red markings
Case	304 SS
Lens	Laminated safety glass
Ring	304 SS, bayonet
Socket	AISI 316 SS
Connection	1/4" or 1/2" NPT, bottom or back
Bourdon Tube	AISI 316 SS
Movement	SS
Pointer	Aluminum, anodized black, micrometer adjustable
Fill Liquid	Glycerin/H ₂ O
Ambient/Process Temperature	-40°F to 150°F (-40°C to 65°C) filled
Accuracy	±1% ANSI/ASME Grade 1A
Enclosure Rating	IP65

Order Codes (products in bold are normally in stock)

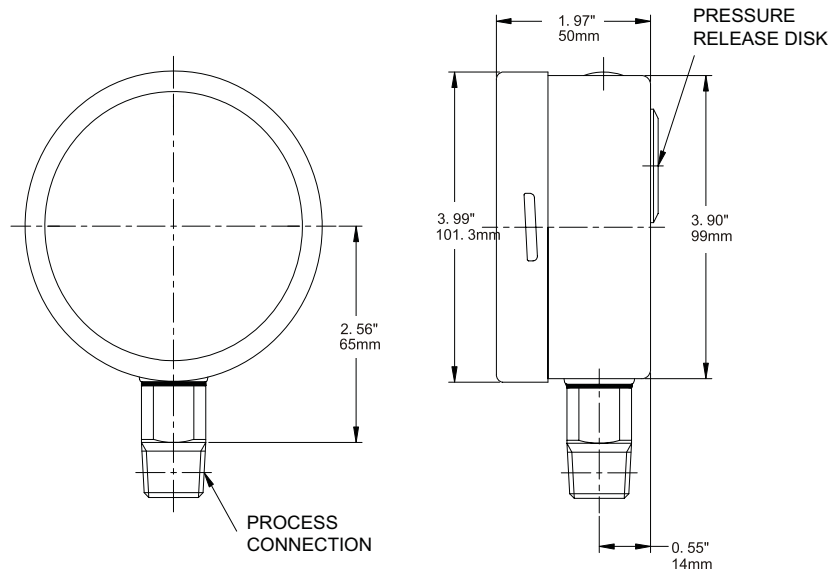
Dial Size	4" (100mm)			
	1/4" Bottom	1/4" Back	1/2" Bottom	1/2" Back
30" Hg. vacuum/kPa	PN2640N	PN21090N	PN2655N	-
30"/0/15 psi/kPa	PN21036N	-	PN21044N	-
30"/0/30 psi/kPa	PN21037N	-	PN21045N	-
30"/0/60 psi/kPa	PN21038N	-	PN21046N	-
30"/0/100 psi/kPa	PN21039N	-	PN21047N	-
30"/0/160 psi/kPa	PN21040N	-	PN21048N	-
30"/0/200 psi/kPa	PN21042N	-	PN21050N	-
30"/0/300 psi/kPa	PN21043N	-	PN21051N	-
0 - 15 psi/kPa	PN2641N	PN21091N	PN2656N	-
0 - 30 psi/kPa	PN2642N	PN21092N	PN2657N	-
0 - 60 psi/kPa	PN2643N	PN21093N	PN2658N	-
0 - 100 psi/kPa	PN2644N	PN21094N	PN2659N	-
0 - 160 psi/kPa	PN2645N	PN21095N	PN2660N	-
0 - 200 psi/kPa	PN2646N	PN21096N	PN2661N	-
0 - 300 psi/kPa	PN2647N	PN21097N	PN2662N	-
0 - 400 psi/kPa	PN2650N	-	PN2666N	-
0 - 600 psi/kPa	PN2648N	PN21098N	PN2663N	-
0 - 1,000 psi/kPa	PN2649N	PN21099N	PN2664N	-
0 - 1,500 psi/kPa	-	-	PN2665N	PN21190N
0 - 2,000 psi/kPa	-	-	PN2667N	PN21191N
0 - 3,000 psi/kPa	-	-	PN2668N	PN21192N
0 - 5,000 psi/kPa	-	-	PN2669N	PN21193N
0 - 10,000 psi/kPa	-	-	PN2670N	PN21194N
0 - 15,000 psi/kPa	-	-	PN2671N	PN21195N
0 - 20,000 psi/kPa	-	-	PN2672N	PN21196N

Option suffix for above order codes only:

4DRY = Supply above gauge less liquid fill
 4UC-P = 4" (100mm) U-Clamp

4FF = 4" (100mm) Front Flange
 4BF = 4" (100mm) Back Flange

4" (100mm) Bottom Connection



Series Number (for custom, non-standard product)

	P	N	2	-			-		-		-		-			-		-		
SERIES																				
DIAL SIZE																				
4.0" (100mm)				4	0															
CASE MATERIALS																				
304SS						T														
316SS						S														
WETTED PARTS																				
316SS							S													
CONFIGURATION																				
Bottom Connection, Stem Mounting																				A
Bottom Connection, Back Flange, Surface Mounting																				B
Bottom Connection, Front Flange, Surface Mounting																				C
Back Connection, Stem Mounting																				D
Back Connection, Back Flange, Surface Mounting																				E
Back Connection, Wide Front Flange, (Drilled) Panel Mounting																				F
Back Connection, Narrow Front Ring, Panel Mounting (Yoke)																				V
Special																				Z
CONNECTION SIZE																				
1/4"																				4
3/8"																				3
1/2"																				2
Special																				Z
THREAD																				
NPT																				N
BSP (G)																				B
BSPT (R)																				T
Special																				Z
PRIMARY SCALE																				
UNITS - See Page 13																				
RANGE - See Page 13																				
SECONDARY SCALE																				
UNITS - See Page 13																				
OPTIONS																				
Fluorolube Filled																				S
Glycerin Filled																				R
Halocarbon Filled																				S
Maximum Adjustable Pointer																				E
Oxygen Cleaning																				S
Silicone Filled																				Q
Stainless Steel Tag Plate																				S
StabilizR™ Movement																				J
Test Certificate																				S
No Options																				L
																				S
																				D
																				S
																				M
																				S
																				3
																				S
																				O
																				X
																				X