



### Description & Features:

- Heavy duty, highly accurate, aluminum case
- Brass and stainless steel wetted parts available
- Two separate bourdon tubes and pointers
- One red and one black pointer
- CRN registered
- 5 year warranty

### Applications:

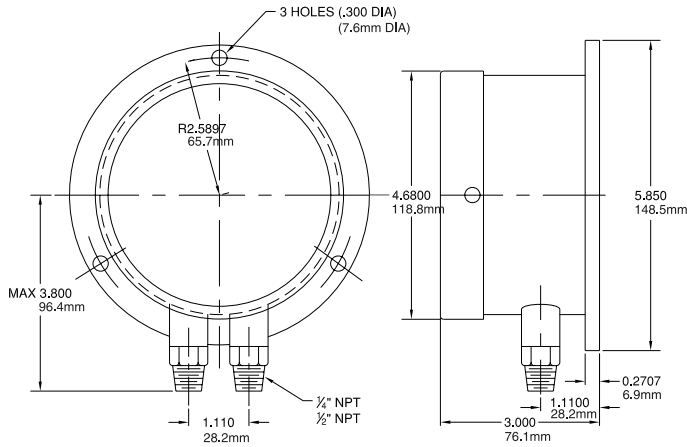
- Comparing two separate process pressures on the same gauge
- Utilized on pump and filter applications

Specifications	
Dial	4.5" (115mm), 6" (150mm) white aluminum with black markings
Case	Aluminum, painted black
Front Flange	4.5" (115mm): SS 6" (150mm): Aluminum
Back Flange	4.5" (115mm): Black steel 6" (150mm): Aluminum
Lens	Glass
Ring	4.5" (115mm): SS 6" (150mm): Aluminum
Socket	Brass or 316 SS as specified
Connection	1/4" NPT standard
Scale	PSI only
Bourdon Tube	Phosphor bronze or AISI 316 SS, independent, matched
Movement	Brass
Pointer	Aluminum, micrometer
Welding	Tin/copper alloy for brass internals, TIG Argonarc for SS internals
Over-Pressure Limit	30% of full scale value
Working Pressure	Maximum 75% of full scale value
Ambient/Process Temperature	-40°F to 150°F (-40°C to 65°C)
Accuracy	±1% ANSI/ASME Grade 1A

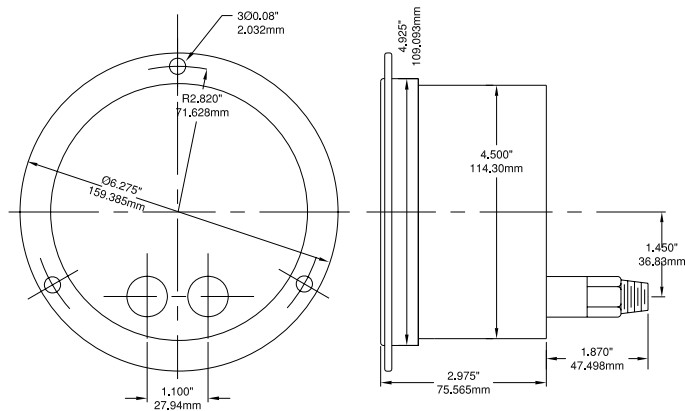
## Order Codes

Dial Size	4.5" (110mm)				6" (150mm)			
Connection	1/4" NPT Bottom	1/4" NPT Back	1/4" NPT Bottom	1/4" NPT Back	1/4" NPT Bottom	1/4" NPT Back	1/4" NPT Bottom	1/4" NPT Back
Socket, Tube	Brass	Brass	SS	SS	Brass	Brass	SS	SS
0-15 psi	PDX8011	PDX8011B	PDX8021	PDX8021B	PDX8091	PDX8091B	PDX8101	PDX8101B
0-30 psi	PDX8012	PDX8012B	PDX8022	PDX8022B	PDX8092	PDX8092B	PDX8102	PDX8102B
0-60 psi	PDX8013	PDX8013B	PDX8023	PDX8023B	PDX8093	PDX8093B	PDX8103	PDX8103B
0-100 psi	PDX8014	PDX8014B	PDX8024	PDX8024B	PDX8094	PDX8094B	PDX8104	PDX8104B
0-160 psi	PDX8015	PDX8015B	PDX8025	PDX8025B	PDX8095	PDX8095B	PDX8105	PDX8105B
0-200 psi	PDX8016	PDX8016B	PDX8026	PDX8026B	PDX8096	PDX8096B	PDX8106	PDX8106B
0-300 psi	PDX8017	PDX8017B	PDX8027	PDX8027B	PDX8097	PDX8097B	PDX8107	PDX8107B
0-600 psi	PDX8018	PDX8018B	PDX8028	PDX8028B	PDX8098	PDX8098B	PDX8109	PDX 8109B

### 4.5" Bottom Connection



### 4.5" Back Connection



## Series Number (for custom, non-standard product)

	P	D	X	-			-		-		-		-			-			-		
<b>SERIES</b>																					
<b>DIAL SIZE</b>																					
4.5" (115mm)						4	5														
6.0" (150mm)						6	0														
<b>CASE MATERIALS</b>																					
Aluminum								A													
<b>WETTED PARTS</b>																					
Brass																					
316SS																					
Special																					
<b>CONFIGURATION</b>																					
Bottom Connection, Stem Mounting																					
Bottom Connection, Back Flange, Surface Mounting																					
Bottom Connection, Front Flange, Surface Mounting																					
Back Connection, Stem Mounting																					
Back Connection, Back Flange, Surface Mounting																					
Back Connection, Wide Front Flange, (Drilled) Panel Mounting																					
Special																					
<b>CONNECTION SIZE</b>																					
1/4"																					
1/2"																					
Special																					
<b>THREAD</b>																					
NPT																					
BSP (G)																					
BSPT (R)																					
M14 x 1.5																					
M20 x 1.5																					
Special																					
PRIMARY SCALE																					
<b>UNITS - See Page 13</b>																					
<b>RANGE - See Page 13</b>																					
SECONDARY SCALE																					
<b>UNITS - See Page 13</b>																					
<b>OPTIONS</b>																					
Acrylic lens																					S V
Blowout Disk																					S B
Oxygen Cleaning																					S L
Safety Glass																					S A
Stainless Steel Tag Plate																					S M
Test Certificate																					S O
No Options																					X X